



BRAMPTON
Flower City

brampton.ca

ARTERIAL ROAD

MAX. 22.5m PAVEMENT
ON 36.0m R.O.W.

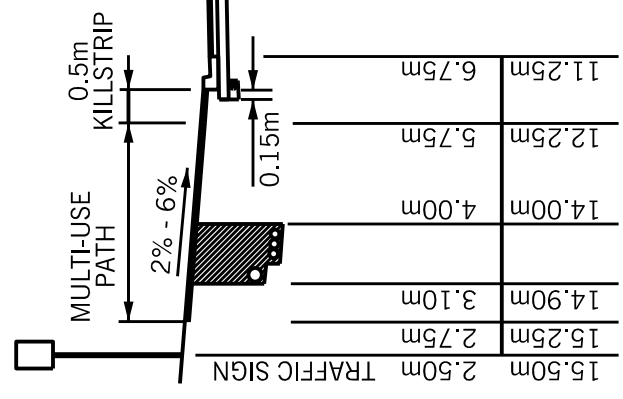
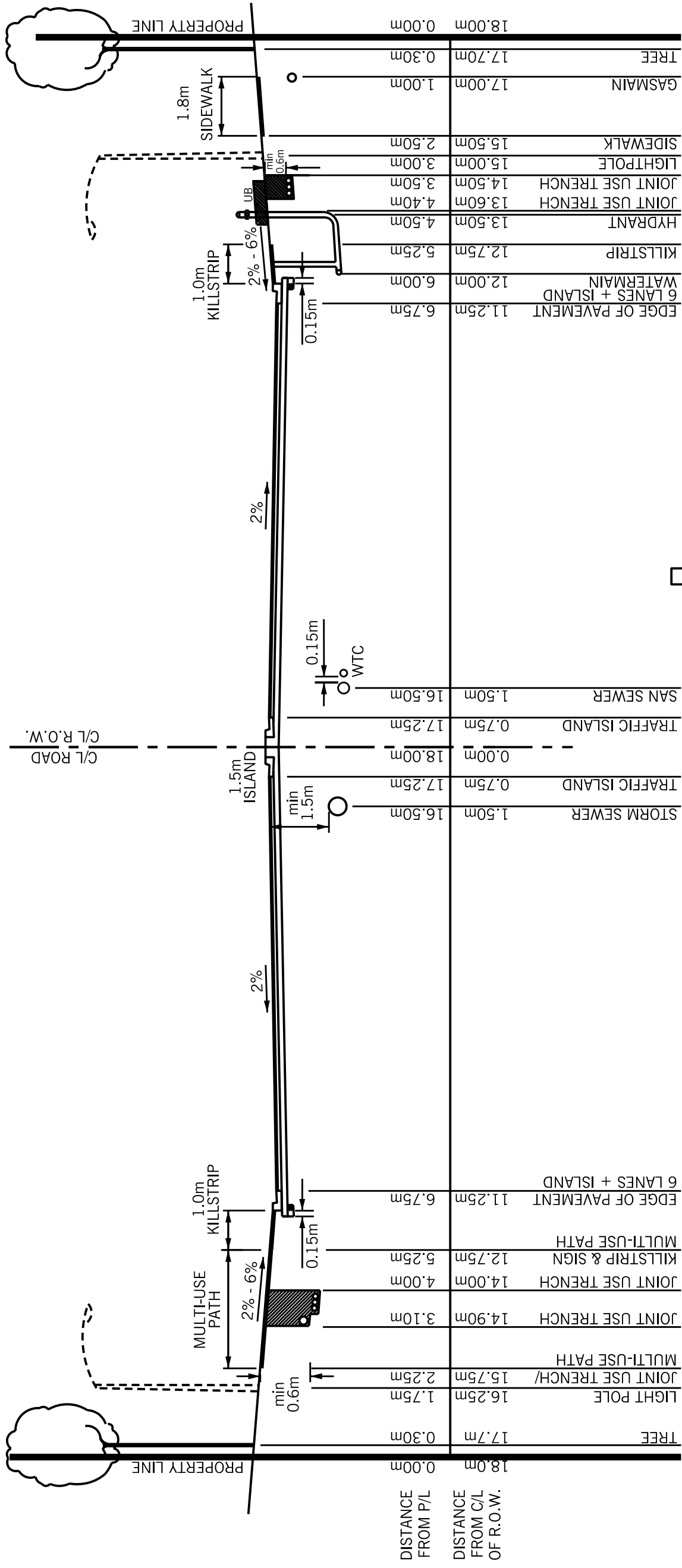
APPROVED:
2019/07/02

ORIGINAL:
1999/01/21

REV. 21

208

N.T.S



SEE NOTE # 6

- NOTES:
1. LOCAL SOIL CONDITIONS MAY REQUIRE CHANGES IN THE DEPTHS OF MATERIAL TO BE PLACED.
 2. WATERMAIN MAY BE LOCATED ON EITHER BLVD.
 3. FOR JOINT USE TRENCH DETAILS, SEE STD. No. 345.
 4. BOULEVARD TO HAVE 150 mm OF TOPSOIL AND 50 mm OF SOD.
 5. MINIMUM PAVEMENT STRUCTURE TO BE AS FOLLOWS:
50 mm HL3 ASPHALT (High Stability or HLI)
85 mm HL8 ASPHALT (100 mm FOR ALL NEW SUBDIVISION ROADS)
150 mm GRANULAR "A" OR 130 mm OF 20 mm CRUSHER RUN LIMESTONE
450 mm GRANULAR "B" OR 350 mm OF 50 mm CRUSHER RUN LIMESTONE
 6. THE LOCATION OF THE LIGHTPOLE WILL DEPEND ON THE DESIGN SPEED AS OUTLINED IN THE ROADSIDE SAFETY MANUAL.
 7. WHEN A SIGN IS TO BE INCLUDED THEN THE KILLSTRIP SHALL BE 0.5m.
 8. 1.8m SIDEWALKS MAY BE REPLACED WITH A 3.0m MULTI USE PATH.
 9. LANE WIDTHS CAN VARY SUBJECT TO ENVIRONMENTAL ASSESSMENT OR COMMISSIONER APPROVAL. ANY REDUCTION IN LANE WIDTH WILL NOT REDUCE THE RIGHT OF WAY REQUIREMENTS.