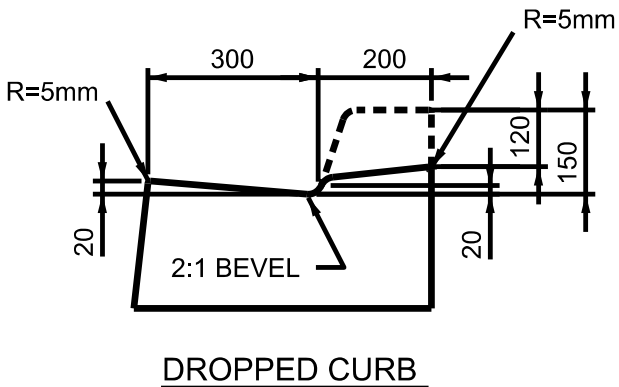
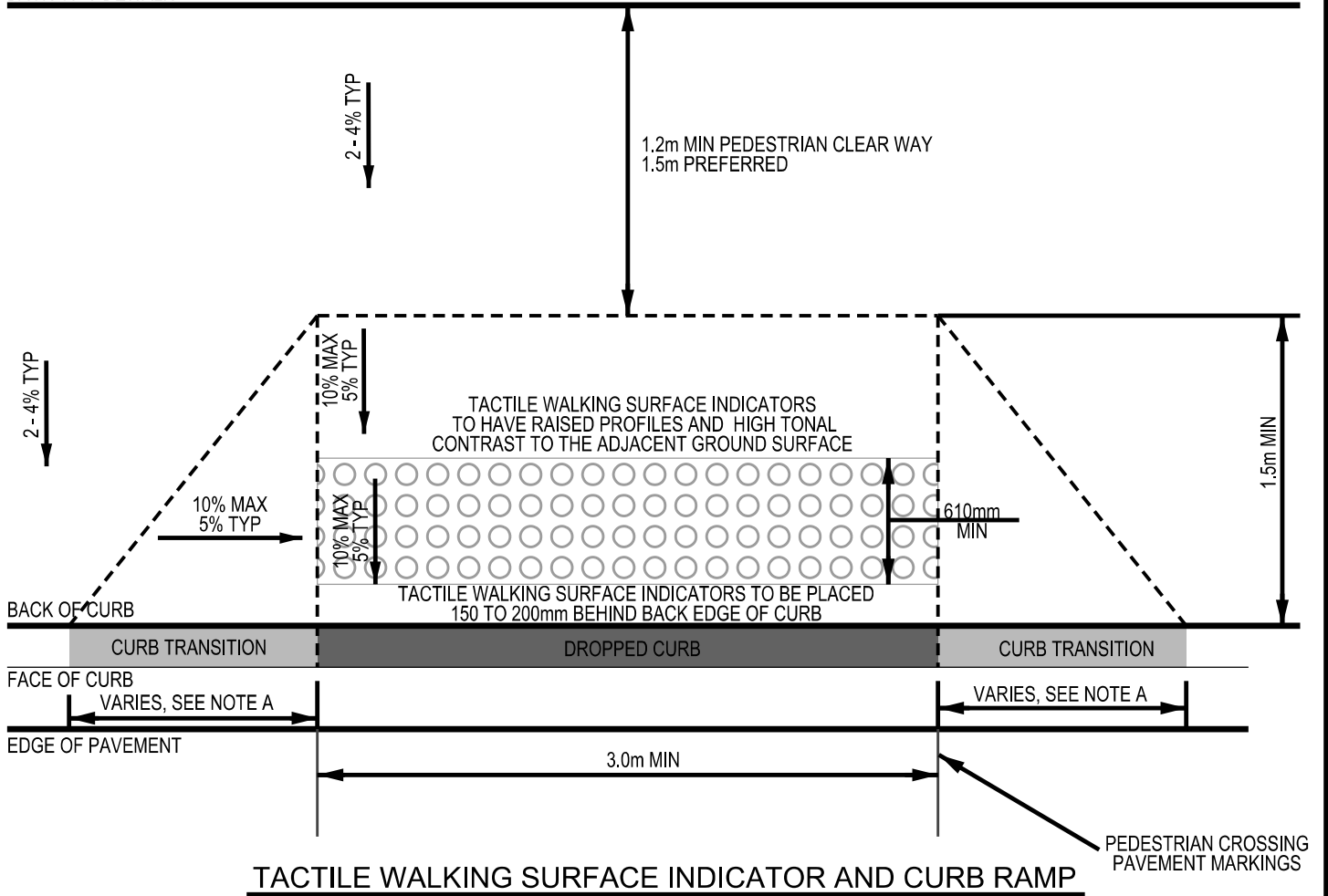
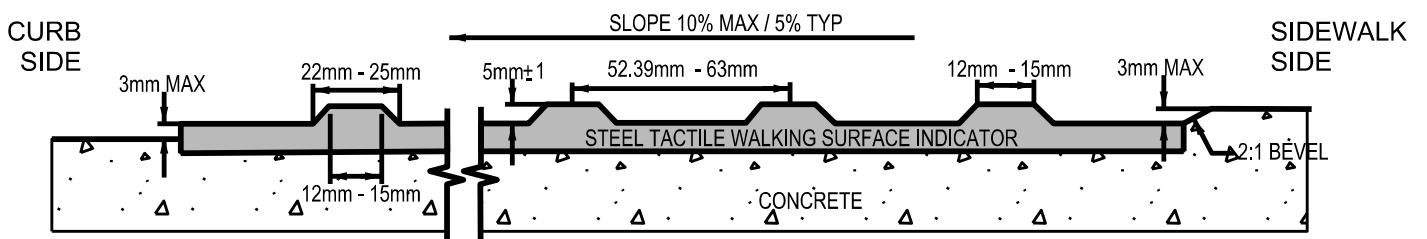


BACK OF SIDEWALK



NOTES

- A. 1.2m MINIMUM FOR TRANSITIONS BETWEEN FULL HEIGHT CURB AND 120mm DROPPED CURB, 0.45m MINIMUM FOR TRANSITIONS BETWEEN 120mm DROPPED CURB AND 75mm DROPPED CURB.
- REFER TO STANDARD 282 FOR INFORMATION REGARDING THE LOCATION OF DROPPED CURBS.
  - THIS DETAIL SHALL BE READ IN CONJUNCTION WITH ACCESSIBILITY FOR ONTARIANS WITH DISABILITIES ACT, 2005 (ONTARIO REGULATION 413/12) FOR ANY DISCREPANCIES, AODA SHALL TAKE PRECEDENCE.



**CROSS SECTION OF TACTILE WALKING SURFACE INDICATORS**

All dimensions in millimeters unless otherwise shown



**BRAMPTON**  
Flower City

CURB RAMP DETAIL  
GREATER THAN 2.7m  
WITH TACTILE WALKING  
SURFACE INDICATOR

APPROVED:  
JUL 24, 2015

ORIGINAL:  
13/11/2014

REV. 1

**281**

N.T.S