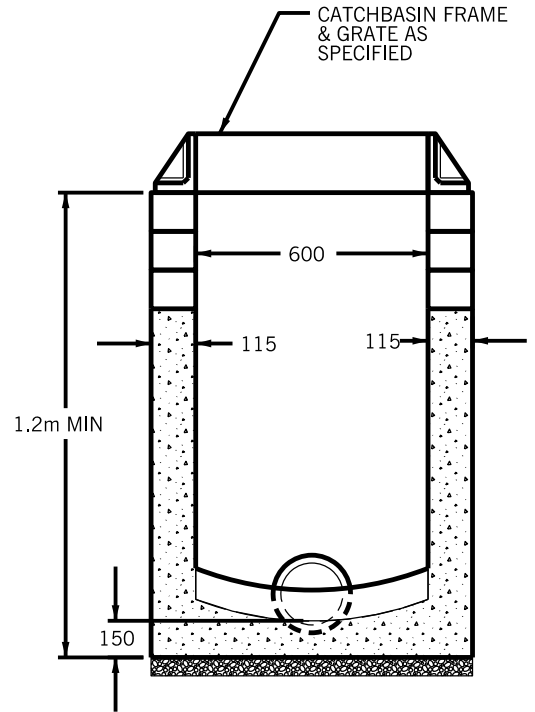
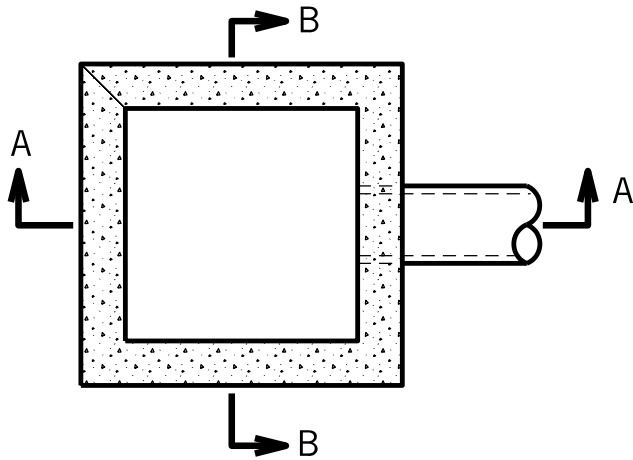


**SECTION A-A**



**SECTION B-B**



**PLAN VIEW**

NOTES:

1. CONCRETE TO BE 25MPa AT 28 DAYS.
2. PARGING MIX ON ALL PRECAST MODULOC ADJUSTERS TO BE 1:3 MORTAR MIX AND APPLIED 15mm THICK
3. ALL JOINTS AND LIFTING HOLES TO BE COMPLETELY FILLED WITH A 1:3 MORTAR MIX AND POINTED BEFORE BACKFILLING.
4. NOT TO BE USED FOR CURB & GUTTER.

ALL DIMENSIONS IN mm UNLESS OTHERWISE NOTED



**BRAMPTON**  
Flower City

SUMPLESS PRECAST  
CATCHBASIN

APPROVED:  
2011/04/13

ORIGINAL:  
1995/08/10

REV. 1

**323**

N.T.S