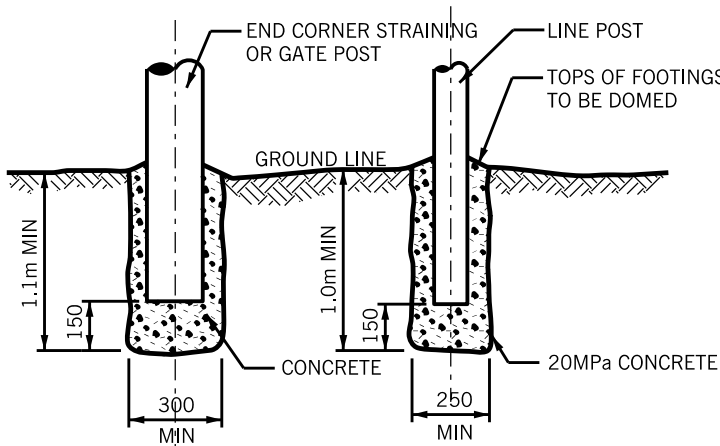
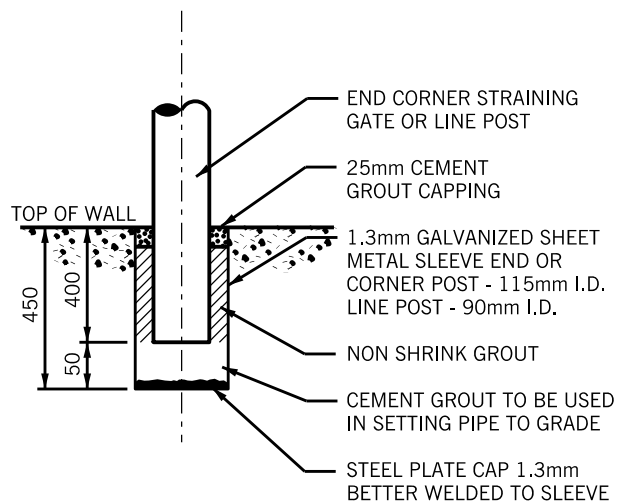


FENCE DETAILS



IN EARTH OR WALKWAY



ON RETAINING WALL

NOTES:

1. FOR FABRIC WIDTH OF 1.8m INSTALL KNUCKLED EDGE AT BOTTOM & BARBED EDGE AT TOP. FOR FABRIC WIDTH OF 1.2m & 1.5m INSTALL KNUCKLED EDGE AT TOP.
2. CHAIN LINK FABRIC TO BE BLACK VINYL COATED 3.5mm O.D., WITH 3.2m GALVANIZED STEEL CORE WOVEN INTO A 38mm MESH. TOP & BOTTOM SALVAGE TO HAVE A KNUCKLED FINISH. TENSILE STRENGTH OF INDIVIDUAL PICKETS TO STAND TEST OF 550MPa.
3. SEE SPECIFICATIONS FOR CHAIN LINK FENCE.
4. ALL POST, RAILS, CONNECTOR & FITTINGS TO BE GALVANIZED & BLACK COATED AS PER STANDARD CITY SPECIFICATIONS FOR CHAIN LINK FENCE 1.2m HT.
5. ALL DIMENSIONS IN mm EXCEPT AS NOTED.



BRAMPTON
Flower City

CHAIN LINK SECURITY FENCE

PARKS & RECREATION

APPROVED:
1992/01/11

ORIGINAL:
1992/01/11

REV. 0

402

N.T.S