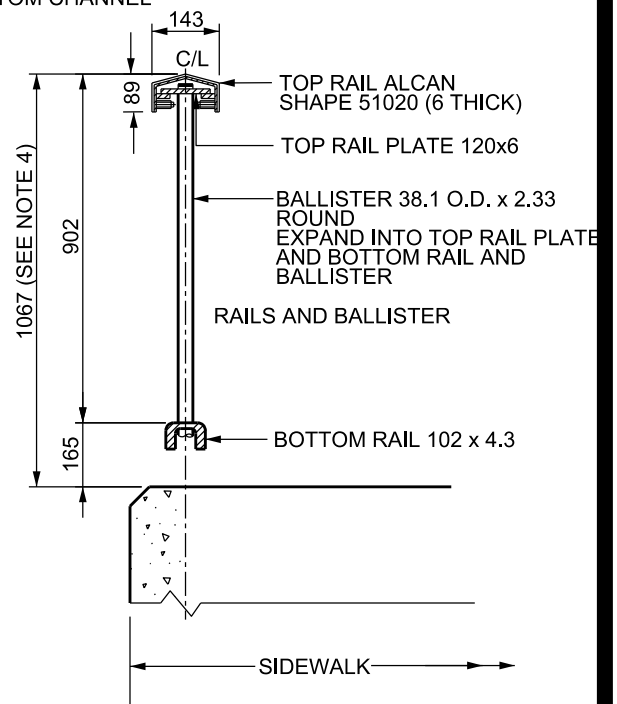
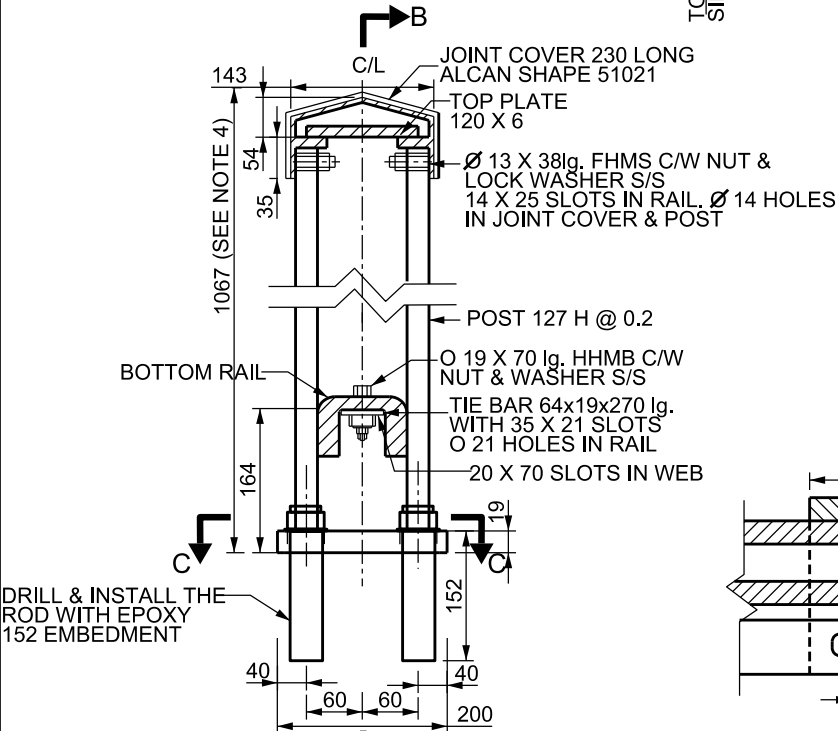


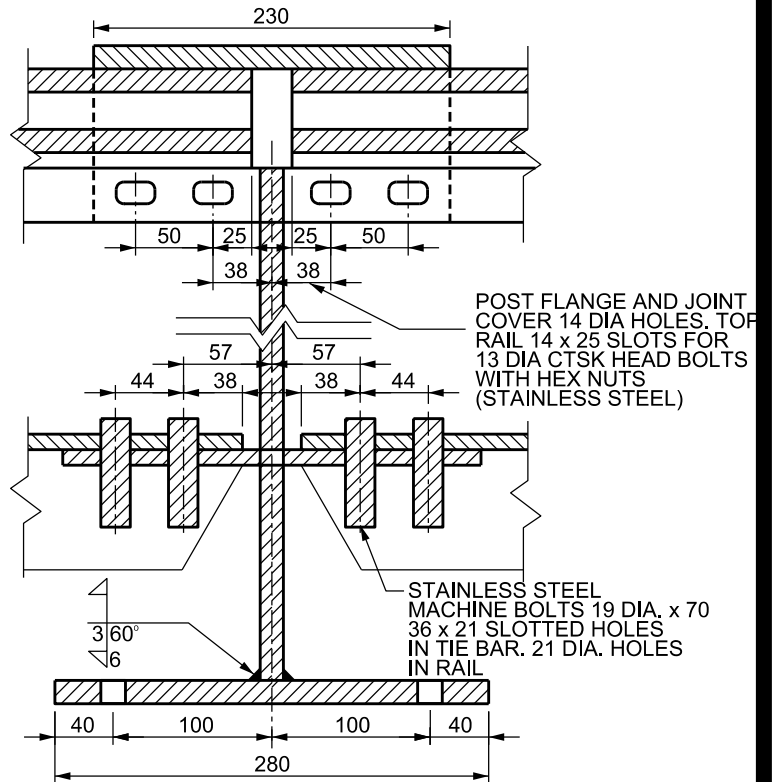
PANEL ELEVATION



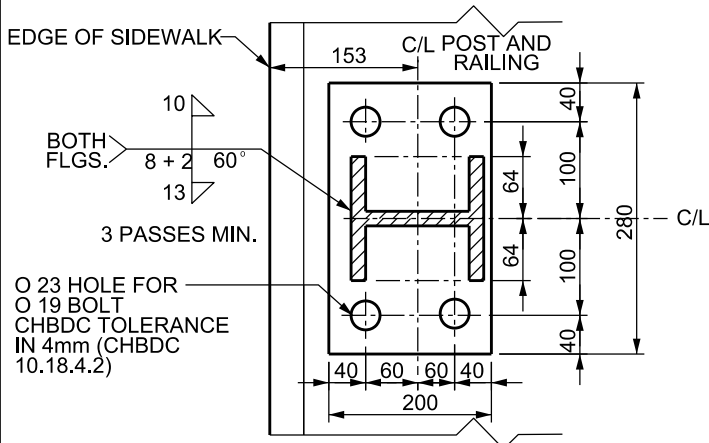
SECTION 'A'-'A'



POST DETAIL



SECTION 'B'-'B'



SECTION 'C'-'C'

BASE PLATE 200x19x280

MATERIAL	USE	SPECIFICATION
ALUMINUM - EXTRUDED SHAPES	POST AND RAILS	C.S.A. - HA 5 GS11R-T6
ALUMINUM - TUBING	BALLISTERS	C.S.A. - HA 7 GS11R-T6
ALUMINUM - SHEET AND PLATE	BASE PLATE AND TIE BARS	C.S.A. - HA 4 GM41-HL321
STAINLESS STEEL, TYPE 304	BOLTS AND SET SCREWS NUTS AND WASHERS	A.S.T.M. - A314-63

- NOTES:
1. AN APPROVED PREFABRICATED ANCHORAGE ASSEMBLY SHALL BE USED.
 2. PAINT BOTTOM OF BASE PLATE WITH ASPHALTIC MASTIC.
 3. POST AND BALLISTERS TO BE VERTICAL. TOP AND BOTTOM RAILS TO BE PARALLEL TO TOP OF CONCRETE.
 4. RAILING HEIGHT TO BE AS PER CANADIAN HIGHWAY BRIDGE DESIGN CODE (CHBDC) REQUIREMENTS.

ALL DIMENSIONS IN mm UNLESS OTHERWISE NOTED



BRAMPTON
Flower City

STANDARD
ALUMINUM RAILING
FOR SIDEWALKS
AND WALLS WITHOUT
CONCRETE PARAPETS

APPROVED:
2013/05/01

ORIGINAL:
2000/01/20

REV. 2

418

N.T.S