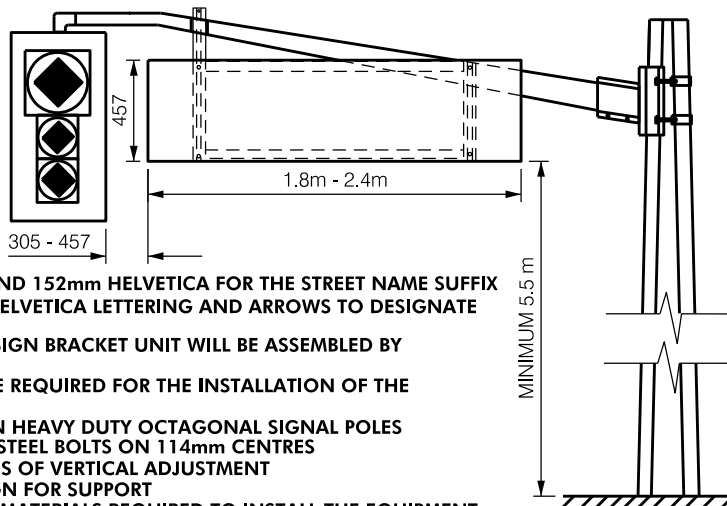
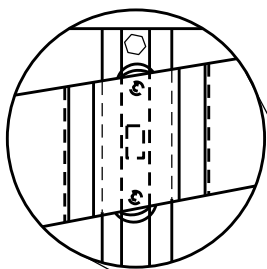


## FRONT VIEW

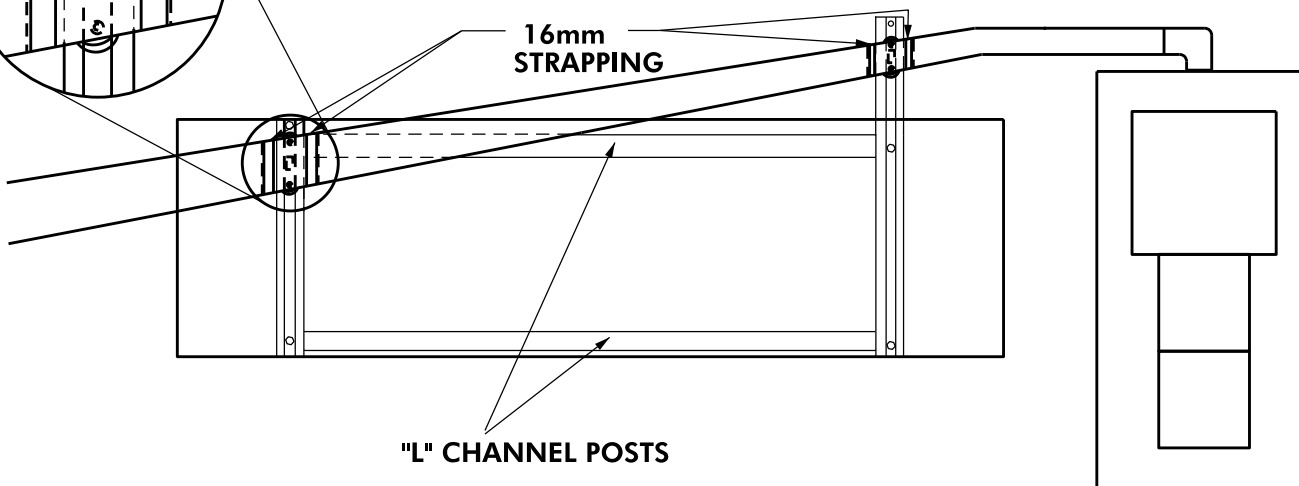


**NOTES:**

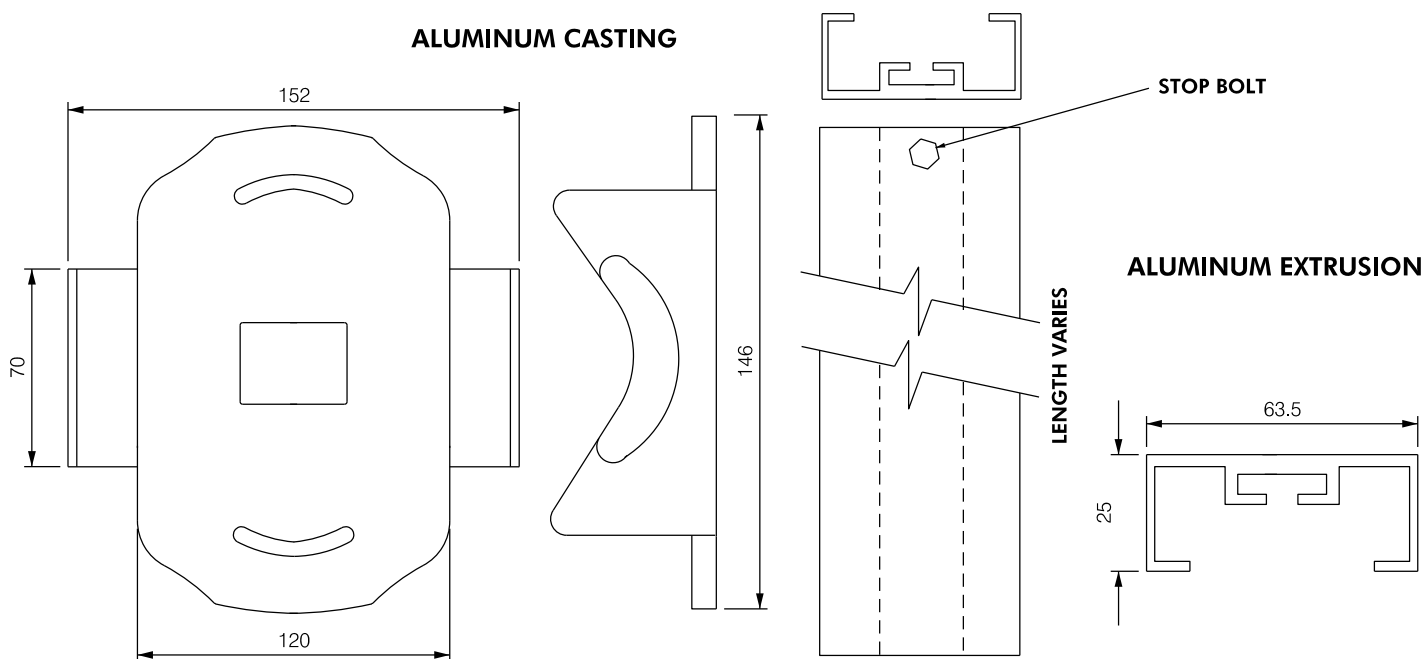
1. STREET NAME LETTERING MUST BE 305mm HELVETICA AND 152mm HELVETICA FOR THE STREET NAME SUFFIX
2. INTERSECTIONS WITH SPLIT NAMES MUST USE 152mm HELVETICA LETTERING AND ARROWS TO DESIGNATE THE STREET LOCATION
3. OVERSIZED STREET NAME SIGNS WITH THE ALUMINUM SIGN BRACKET UNIT WILL BE ASSEMBLED BY THE CITY OF BRAMPTON TRAFFIC SIGN SHOP
4. A BUCKET TRUCK OR A PLATFORM LIFT MACHINE WILL BE REQUIRED FOR THE INSTALLATION OF THE OVERSIZED STREET NAME SIGNS
5. OVERSIZED STREET NAME SIGNS MUST BE INSTALLED ON HEAVY DUTY OCTAGONAL SIGNAL POLES
6. THE ALUMINUM SIGN BRACKET USES 9.5mm STAINLESS STEEL BOLTS ON 114mm CENTRES
7. THE ALUMINUM SIGN BRACKET ALLOWS FOR 15 DEGREES OF VERTICAL ADJUSTMENT
8. "L" CHANNEL POSTS ARE INSTALLED ON THE BACK OF SIGN FOR SUPPORT
9. THE BID SHALL INCLUDE ALL LABOUR, EQUIPMENT AND MATERIALS REQUIRED TO INSTALL THE EQUIPMENT SPECIFIED, INCLUDING ALL HARDWARE AND ADJUSTMENT REQUIRED. THE CONTRACTOR SHALL INSTALL EITHER A 16mm GRADE 5 BOLT OR A 19mm BOLT FOR THE MAST ARM SHOE.
10. TO BE USED FOR ARTERIAL ROADS



## BACK VIEW



## ALUMINUM SIGN BRACKET EXTRUSION & CASTING



ALL DIMENSIONS IN MILLIMETERS (mm) UNLESS OTHERWISE NOTED



**BRAMPTON**  
Flower City

APPROVED:  
2007/05/30

TYPICAL OVERSIZED STREET  
NAME SIGN INSTALLATION

ALUMINUM SIGN BRACKET  
EXTRUSION & CASTING

ORIGINAL:  
2003/11/03

REV. 2

**445**

N.T.S