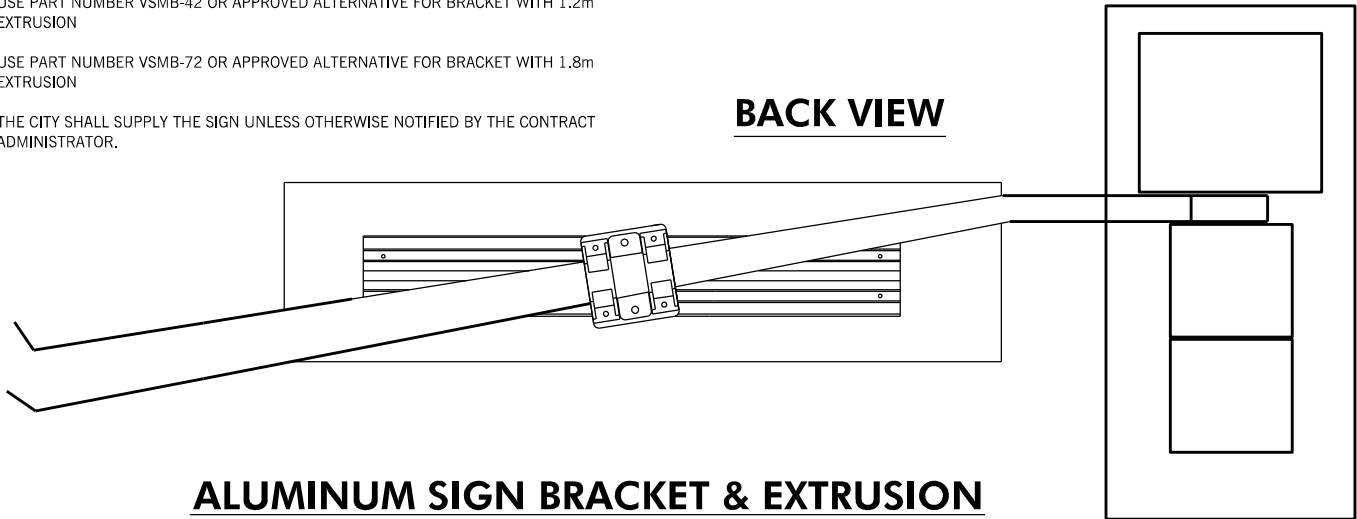


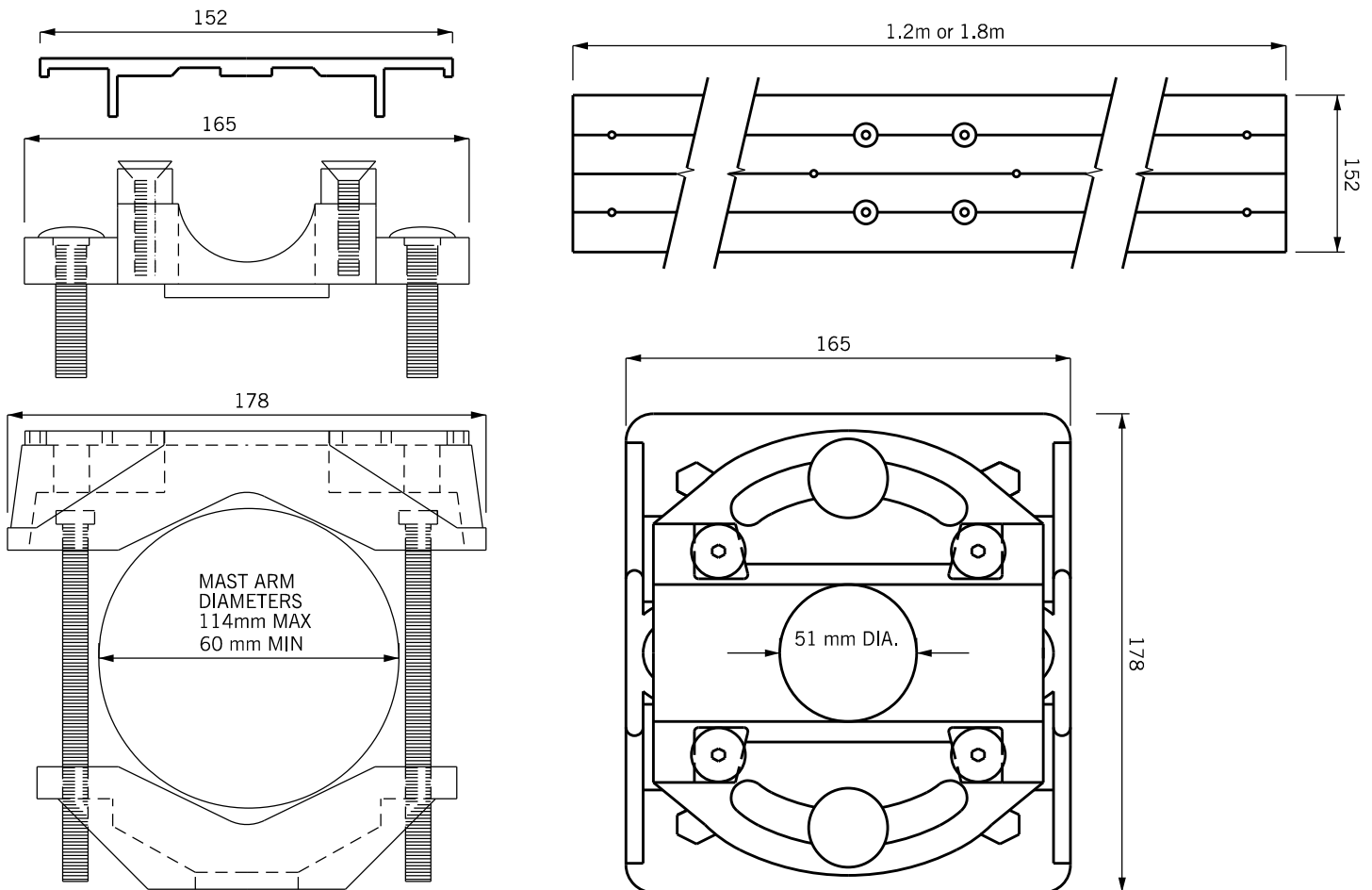
**NOTES:**

1. STREET NAME LETTERING MUST BE 305mm HELVETICA AND 152mm HELVETICA FOR THE STREET NAME SUFFIX
2. INTERSECTIONS WITH SPLIT NAMES MUST USE 152mm HELVETICA LETTERING AND ARROWS TO DESIGNATE THE STREET LOCATION
3. OVERSIZED STREET NAME SIGNS WITH THE ALUMINUM SIGN BRACKET UNIT WILL BE ASSEMBLED BY THE CITY OF BRAMPTON TRAFFIC OUTSIDE SERVICES SECTION
4. A BUCKET TRUCK OR A PLATFORM LIFE MACHINE WILL BE REQUIRED FOR THE INSTALLATION OF OVERSIZED STREET NAME SIGNS
5. OVERSIZED STREET NAME SIGNS MUST BE INSTALLED ON HEAVY DUTY OCTAGONAL SIGNAL POLES
6. THE ALUMINUM SIGN BRACKET ALLOWS FOR 15 DEGREES OF VERTICAL ADJUSTMENT
7. USE PART NUMBER VSMB-42 OR APPROVED ALTERNATIVE FOR BRACKET WITH 1.2m EXTRUSION
8. USE PART NUMBER VSMB-72 OR APPROVED ALTERNATIVE FOR BRACKET WITH 1.8m EXTRUSION
9. THE CITY SHALL SUPPLY THE SIGN UNLESS OTHERWISE NOTIFIED BY THE CONTRACT ADMINISTRATOR.

**BACK VIEW**



**ALUMINUM SIGN BRACKET & EXTRUSION**



ALL DIMENSIONS IN mm UNLESS OTHERWISE NOTED



APPROVED:  
APRIL 2014

OVERSIZED STREET NAME SIGN  
SINGLE ALUMINIUM SIGN BRACKET

ORIGINAL:  
TRAFFIC DETAILS - SERIES 400 APRIL 2014

REV. 1

**447**

N.T.S