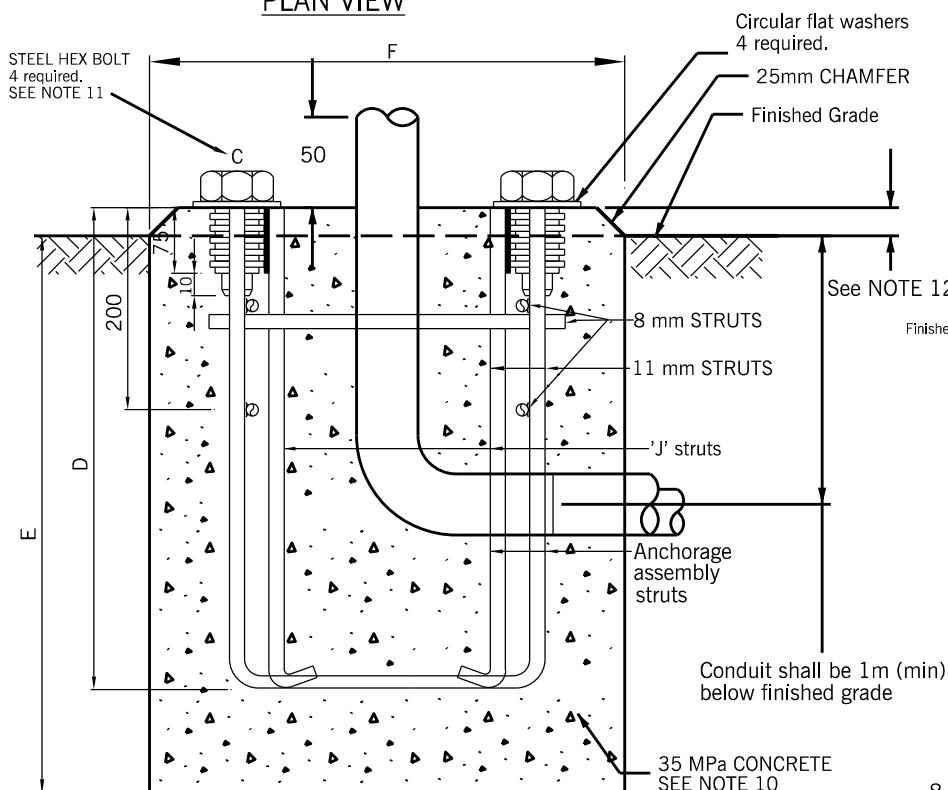
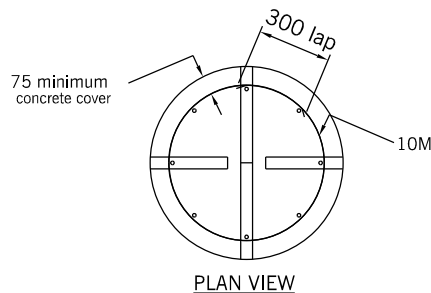


HEIGHT	POLE TYPE	DIMENSIONS (in mm)						REINFORCING STEEL REQUIRED
		A	B	C	D	E	F	
4.6m	8315	197	254	22	457	2200	600	YES
6.1m	8520	287	406	32	457	2200	660	YES
6.1m	8620	287	406	32	457	2200	760	YES
9.1m	8530	287	406	32	457	2600	760	YES
10.7m	8535	287	406	32	457	2750	760	YES
13.7m	8545	287	406	32	457	3000	760	YES
1.5m	PEDESTRIAN PUSHBUTTON POLE	135	190	19	305	1500	400	NO
1.1m	POWER PEDESTAL	287	406	25	457	1500	760	NO

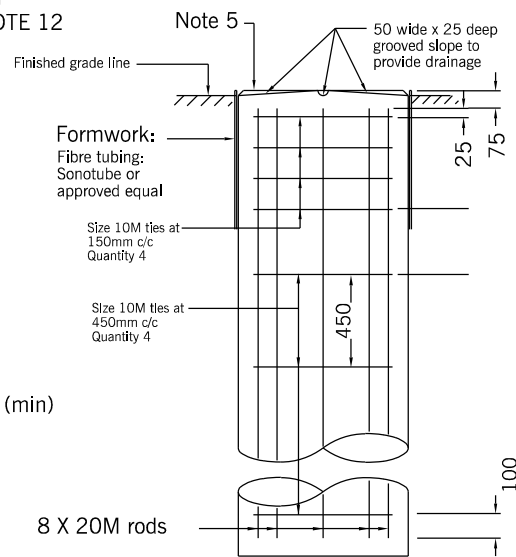
PLAN VIEW



SECTION 'A' - 'A'



PLAN VIEW



ELEVATION REINFORCEMENT

NOTES:

- EXCAVATION TO BE DONE BY AUGERING OR A NON DESTRUCTIVE METHOD.
- ONE 100mm (FOR TRAFFIC CABLES) AND ONE 50mm (FOR STREET LIGHT CABLES) RIGID PVC 90° BEND IS REQUIRED IN EACH POLE FOOTING, WITH THE EXCEPTION OF 8315 POLES WHICH SHALL USE ONE 75mm CONDUIT, ORIENTED TOWARDS THE NEAREST HANDWELL (UNLESS OTHERWISE NOTED IN THE CONTRACT DRAWINGS OR DIRECTED BY THE CONTRACT ADMINISTRATOR).
- THE POWER PEDESTAL SHALL USE CONDUITS AS PER CITY STANDARD 438.
- THE PEDESTRIAN PUSHBUTTON POLE SHALL USE CONDUITS AS PER CITY STANDARD 455.
- THE DIRECTION OF EACH CONDUIT SHALL BE IDENTIFIED ON ALL CONCRETE FOOTINGS WITH AN "X".
- APPROVED CAPPING SHALL BE USED ON ALL UNUSED CONDUITS FOR FUTURE USE.
- PRESET ANCHOR AND 19mm PLYWOOD SETTING TEMPLATE TO BE SET PRIOR TO COMPLETION OF CONCRETE VIBRATION. PLYWOOD TO BE REMOVED PRIOR TO FINAL SET OF FINISHED CONCRETE.
- TOP OF FOUNDATION TO BE FINISHED TRULY LEVEL.
- PRESET ANCHOR TO BE INSTALLED PARALLEL TO ROADWAY.
- CONCRETE SHALL BE VIBRATED TO ELIMINATE VOIDS, HONEYCOMBING AND ENTRAPPED AIR. CONCRETE SHALL BE CHLORIDE PENETRATION RESISTANT CLASS C-1 (MINIMUM) AS PER C.S.A. STANDARD A23.1.
- BOLTS SHALL BE FACTORY SET IN FERRULE WITH PRE-APPLIED ANTI-SEIZE COMPOUND.
- THE TOP OF THE CONCRETE FOOTING SHALL BE 50mm ABOVE FINISHED GRADE.
- PLACE No. 10 ANNEALED FISH WIRE OR EQUAL STRENGTH POLYLINE THROUGH EACH CONDUIT.
- ALL CONDUITS SHALL BE HIGH DENSITY RIGID P.V.C. (SCEPTER OR APPROVED ALTERNATE) SHALL MEET OR EXCEED C.S.A. STANDARD C22.2 No. 211.2
- FIBRE TUBING SHALL BE REMOVED AFTER FINAL CONCRETE HAS SET.

ALL DIMENSIONS IN mm UNLESS OTHERWISE NOTED



TRAFFIC SIGNALS
ANCHORAGE ASSEMBLY FOR
CONCRETE FOOTING

TRAFFIC DETAILS - SERIES 400

APPROVED:
APRIL 2014

ORIGINAL:
MAY 2006

REV. 3

454

N.T.S