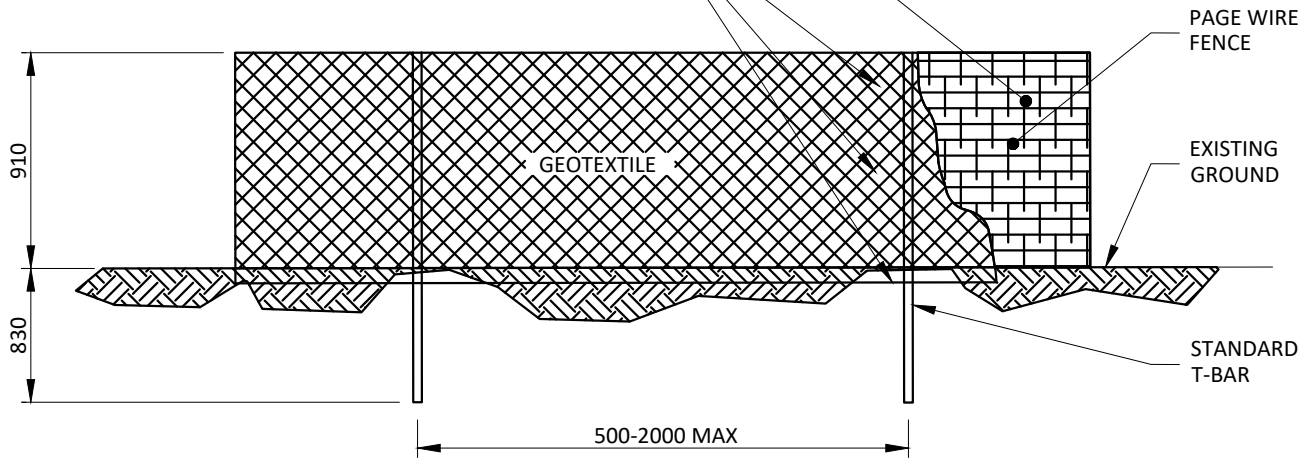
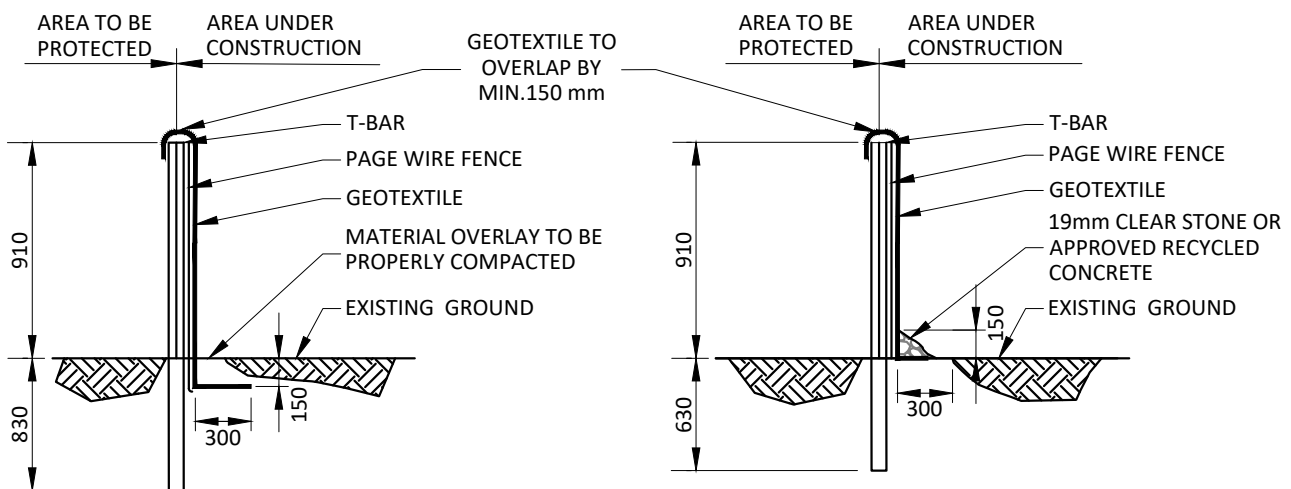


GEOTEXTILE TO BE WIRED TO TOP OF PAGE WIRE AT EACH T-BAR STAKE AND MAXIMUM SPACING OF 500mm O.C.

3 EQUAL SPACED ANCHORS OF SINGLE STRAND 4mm GALVANIZED TENSION WIRE PASSING THROUGH T-BAR AND PASSING THROUGH PAGE WIRE FENCE



ELEVATION



CROSS SECTION

CROSS SECTION

(FROZEN CONDITION)

NOTES:

1. GEOTEXTILE TO HAVE A MINIMUM TEAR RESISTANCE OF 200 N. WATER FLOW THROUGH RATE MINIMUM 4000 L/MIN/M² AND UV STABILITY MIN 70% AT 500H.
2. GEOTEXTILE TO HAVE A HORIZONTAL OVERLAP OF 1000mm AT JOINTS.
3. PAGE WIRE FENCE OR APPROVED EQUIVALENT AS BACKING FOR GEOTEXTILE FILTER FABRIC.
4. GEOTEXTILE TO BE FASTENED TO T-BAR AND PAGE WIRE FENCE VIA METAL ZIP-TIES, 4mm GALVANIZED TENSION WIRE, OR EQUIVALENT.

ALL DIMENSIONS ARE SHOWN IN MILLIMETERS UNLESS OTHERWISE SHOWN



TEMPORARY SINGLE ROW SEDIMENT CONTROL FENCE

APPROVED:
APRIL 2023

ORIGINAL:
APR 2023

REV. 1

463

N.T.S