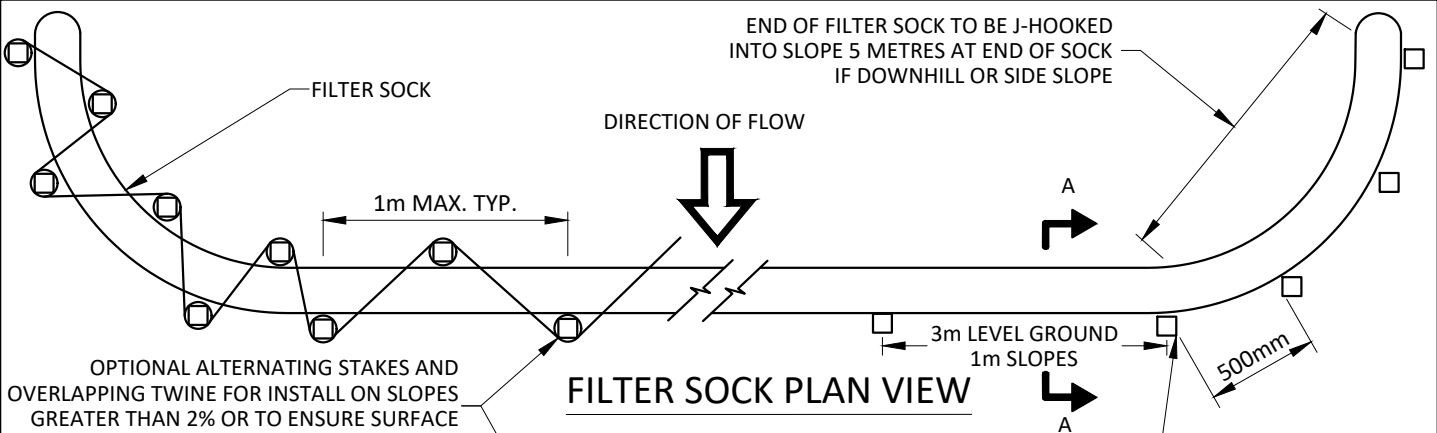
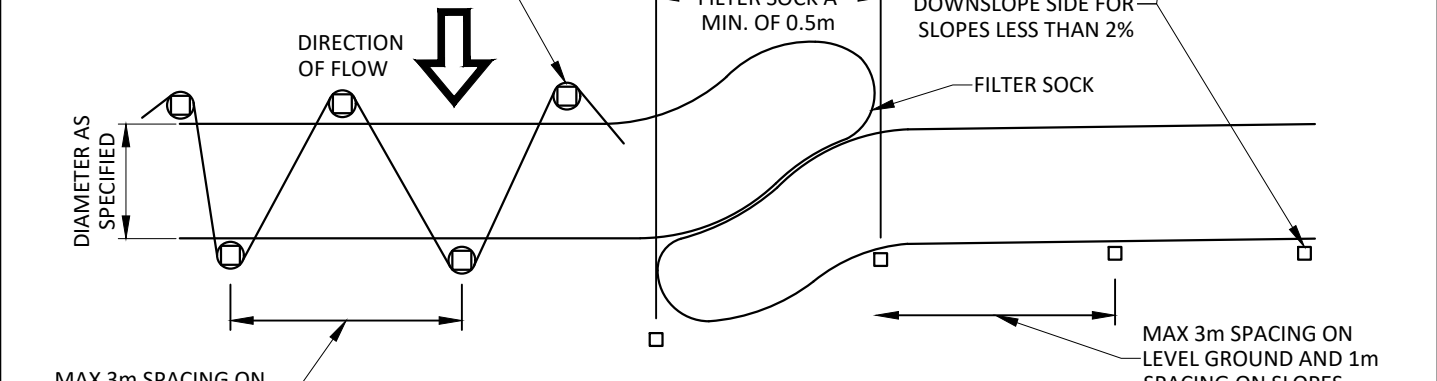


END OF FILTER SOCK TO BE J-HOOKED INTO SLOPE 5 METRES AT END OF SOCK IF DOWNHILL OR SIDE SLOPE

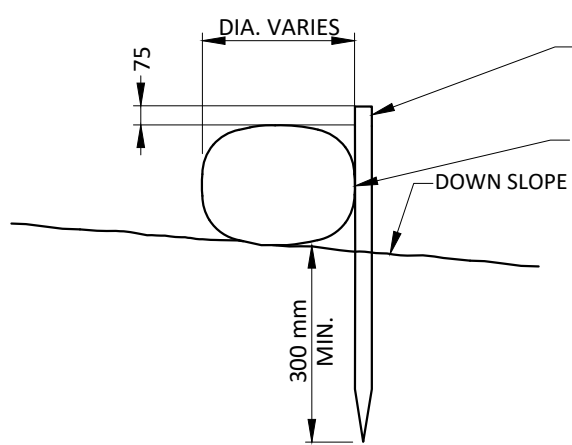


FILTER SOCK PLAN VIEW

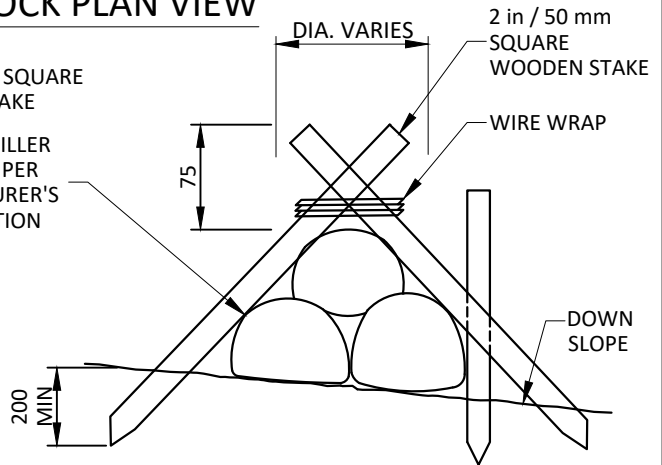
OPTIONAL ALTERNATING STAKES AND OVERLAPPING TWINE FOR INSTALL ON SLOPES GREATER THAN 2% OR TO ENSURE SURFACE CONTACT UNDER CHALLENGING CONDITIONS.



OVERLAPPING FILTER SOCK PLAN VIEW



SECTION A-A - SINGLE



SECTION A-A - PYRAMID

NOTES:

1. REMOVE ALL SURFACE OBSTRUCTIONS GREATER THAN 50mm FROM GROUND SURFACE.
2. ENDS OF FILTER SOCK SHALL BE OVERLAPPED BY A MINIMUM OF 0.5m
3. ALL MATERIAL TO MEET FILTER SOCK MANUFACTURER'S SPECIFICATION
4. IF SLOPES GREATER THAN 2% STAKES SHOULD BE PLACED ON ALTERNATING SIDES OF FILTER SOCK WITH TWINE WRAPPED AROUND THE STAKES AND CROSSING FROM SIDE TO SIDE, AS SHOWN IN PLAN VIEWS. OTHERWISE, STAKES INSTALLED ON DOWNSTREAM SIDE OF FILTER SOCK WITH A SPACING OF 3m ON LEVEL SURFACES AND EVERY 1m ON SLOPES LESS THAN 2%.
5. IF STAKING THROUGH THE FILTER SOCK IS NECESSARY, THE FILTER SOCK WEBBING MUST BE CUT IN AN "X" AT EACH STAKE ENTRY POINT TO PREVENT COMPRESSION OF THE FILTER SOCK WHEN INSTALLING STAKE.

ALL DIMENSIONS ARE SHOWN IN MILLIMETERS UNLESS OTHERWISE SHOWN



APPROVED:
APRIL 2023

TEMPORARY FILTER SOCK SEDIMENT CONTROL BARRIER

ORIGINAL:
APR 2023

REV. 1

466

N.T.S