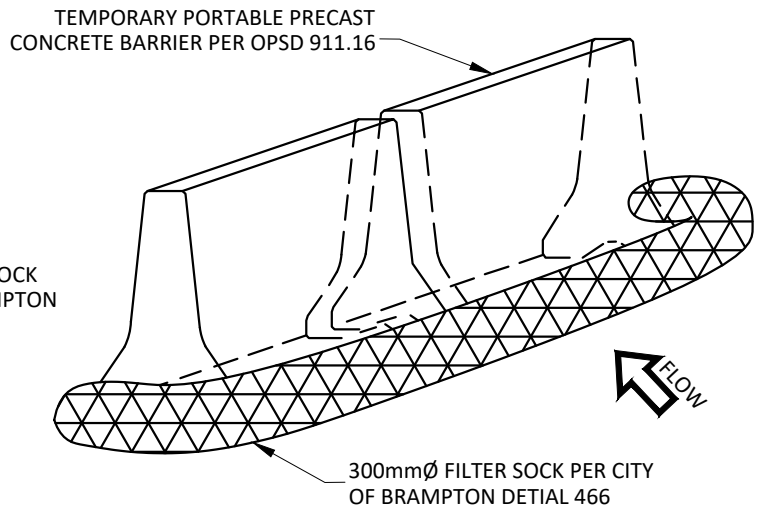
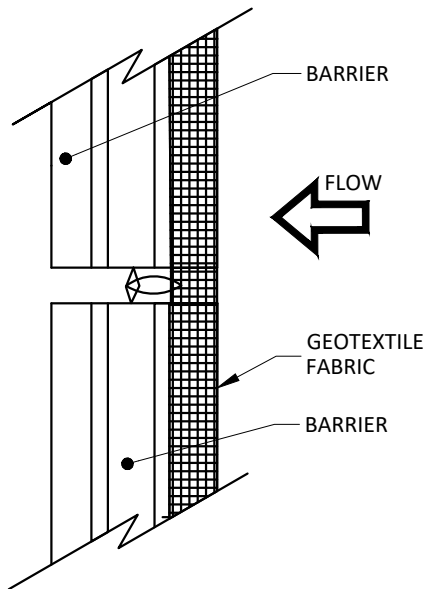


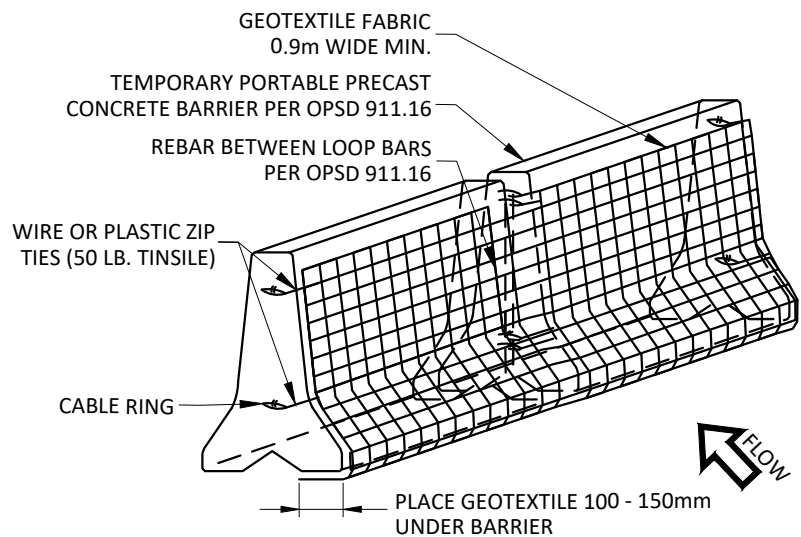
TOP VIEW



TEMPORARY SUPER DUTY SEDIMENT BARRIER WITH FILTER SOCK



TOP VIEW



TEMPORARY SUPER DUTY SEDIMENT BARRIER WITH SPACE CONSTRAINTS AND CONTAMINATED SOL

NOTES:

1. IF SPACE IS NOT A CONSTRAINT, PREFERRED TEMPORARY SUPER DUTY SEDIMENT BARRIER TO UTILIZE A 300 mm Ø FILTER SOCK PER CITY OF BRAMPTON DETAIL 466.
2. IF SPACE IS A CONSTRAINT, AND/OR SOILS ARE CONTAMINATED, TEMPORARY SUPER DUTY SEDIMENT BARRIER TO BE UTILIZED WITH A GEOTEXTILE AND PLACED ALONG A CONSTANT ELEVATION.

ALL DIMENSIONS ARE SHOWN IN MILLIMETERS UNLESS OTHERWISE SHOWN