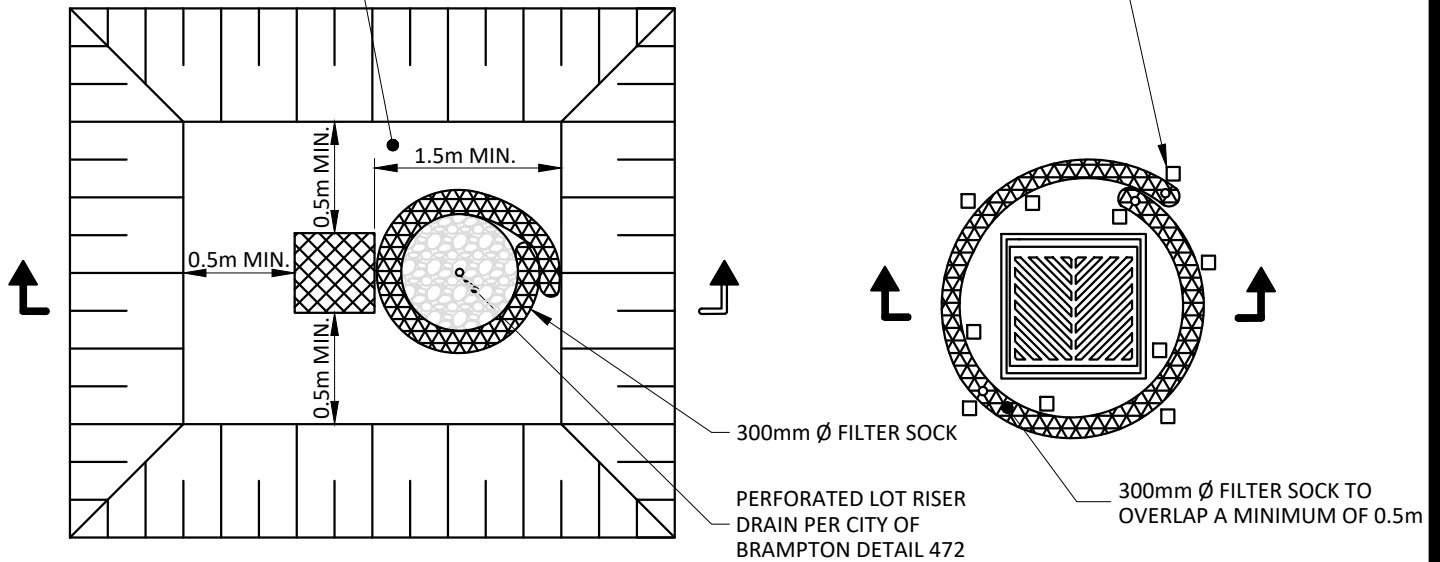


PRE-GRADE CONDITION

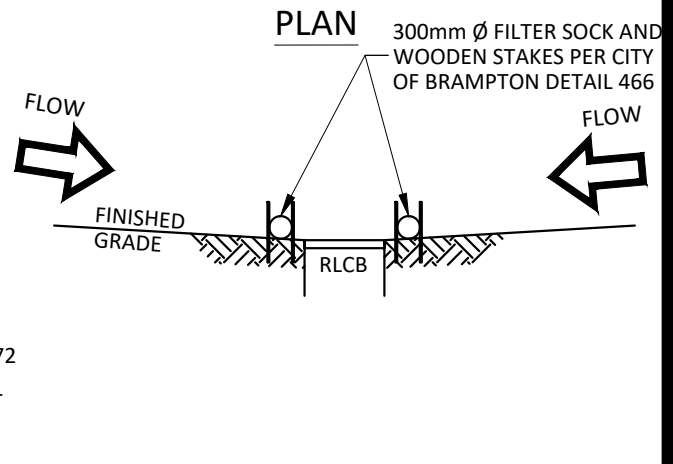
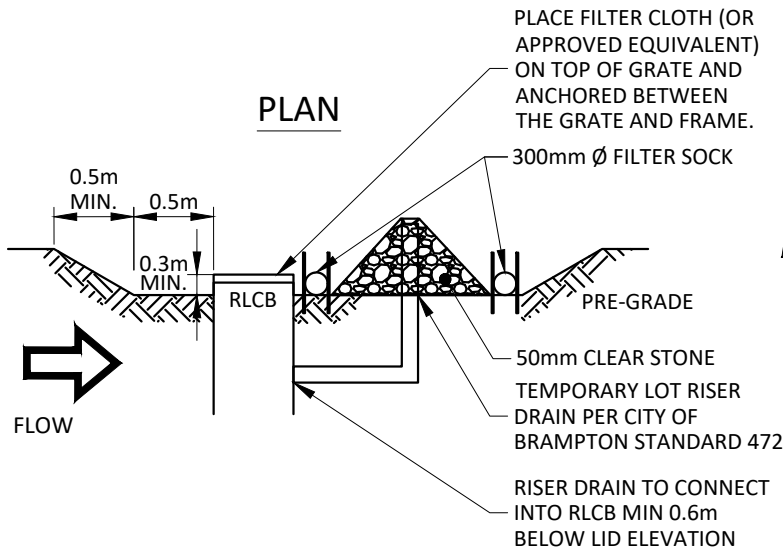
SUMP TO BE CONSTRUCTED IN AREAS WHICH DO NOT HAVE A PRE-GRADE ELEVATION AT LEAST 0.3m BELOW TOP OF RLCB

WOODEN STAKES SHALL BE INSTALLED ON BOTH SIDES OF FILTER SOCK IN 1m INTERVALS AND INSTALLED ON BOTH SIDES OF THE OVERLAP AREA 50mm X 50mm BY 1m LONG STAKES



PLAN

PLAN



CROSS SECTION

CROSS SECTION

ALL DIMENSIONS ARE SHOWN IN MILLIMETERS UNLESS OTHERWISE SHOWN



BRAMPTON
Flower City

TEMPORARY REAR LOT
CATCHBASIN SEDIMENT
CONTROL DEVICE

APPROVED:
APRIL 2023

ORIGINAL:
APR 2023

REV. 1

470

N.T.S