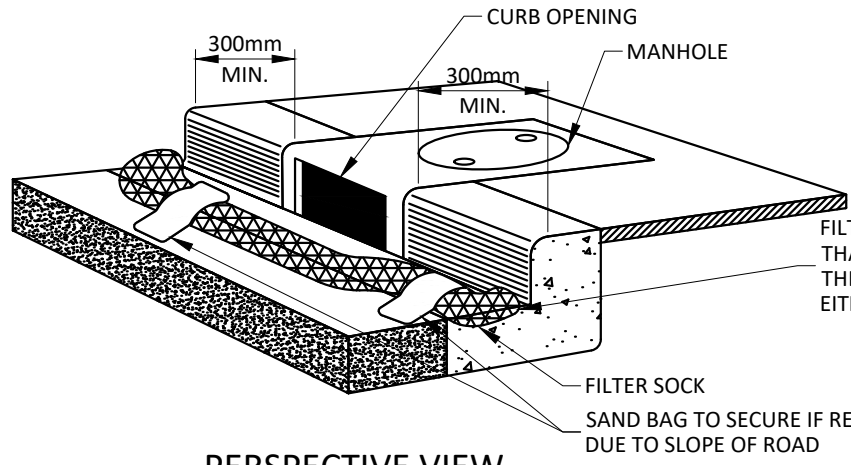


CROSS SECTION VIEW



PERSPECTIVE VIEW

FILTER SOCK TO BE INSTALLED SUCH THAT THERE IS NO GAP BETWEEN THE CURB AND FILTER SOCK ON EITHER SIDE OF INLET OPENING.

NOTES:

1. INSTALL FILTER SOCK IN FRONT OF CURB OPENING TO A MINIMUM OF 300mm BEYOND THE OPENING, EACH SIDE.
2. ANCHOR THE FILTER SOCK WITH SAND BAGS IF REQUIRED OVER-TOP ON EITHER SIDE.
3. STANDARD INLET PROTECTION FOR CURB INLET PROTECTION AND CURB SEDIMENT CONTAINMENT WILL USE 300mm DIAMETER INLET PROTECTION. DURING CURB INSTALLATION, INLET PROTECTION SHALL BE COMPACTED TO BE SLIGHTLY SHORTER THAN CURB HEIGHT.
4. IF INLET PROTECTION BECOMES CLOGGED WITH DEBRIS AND SEDIMENT, THEY SHALL BE MAINTAINED AND/OR REPLACED TO ASSURE PROPER DRAINAGE AND WATER FLOW INTO THE STORM DRAIN. IN SEVERE STORM EVENTS, OVERFLOW OF THE INLET PROTECTION MAY BE ACCEPTABLE TO KEEP THE AREA FROM FLOODING.
5. CURB AND DRAIN INLET PROTECTION SHALL BE POSITIONED SO AS TO PROVIDE A PERMEABLE PHYSICAL BARRIER TO THE DRAIN ITSELF, ALLOWING SEDIMENT TO COLLECT ON THE OUTSIDE OF THE INLET PROTECTION.
6. IF REQUIRED, SAND BAGS ON THE DOWNSLOPE SIDE TO HOLD SOCK IN PLACE.
7. ALL SEDIMENT ON ROADWAY AND CAPTURED BY THE FILTER SOCK TO BE REMOVED IMMEDIATELY AND BEFORE NEXT RAIN EVENT.

ALL DIMENSIONS ARE SHOWN IN MILLIMETERS UNLESS OTHERWISE SHOWN



APPROVED:
APRIL 2023

**TEMPORARY SIDE INLET
CATCHBASIN SEDIMENT
CONTROL DEVICE**

ORIGINAL:
APR 2023

REV. 1

471

N.T.S