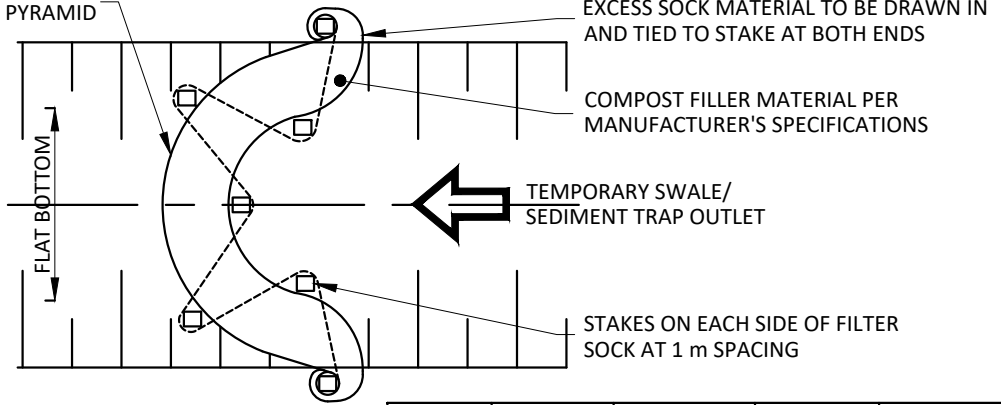


SINGLE ROW OF 450mm FILTER SOCK OR  
3-300mm FILTER SOCKS IN PYRAMID

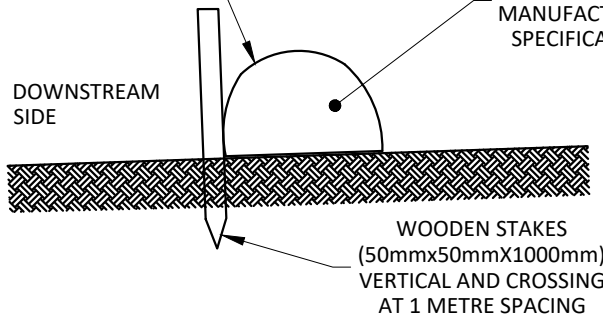


**PLAN VIEW**

SLOPE	HEIGHT (M)	SPACING (M)	HEIGHT (M)	SPACING (MAX.)
0.5%	0.30	60	0.45	90
1.0%		30		45
2.0%		15		23
3% TO 5%		10		15
>5%		6		9

SINGLE ROW OF  
450mm FILTER SOCK

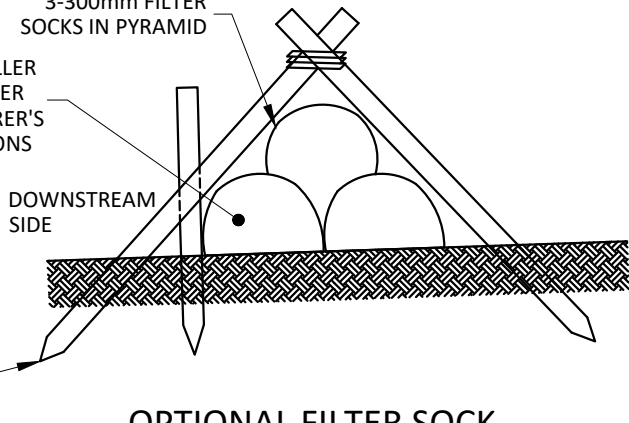
DOWNSTREAM  
SIDE



**SINGLE FILTER SOCK ELEVATION**

3-300mm FILTER  
SOCKS IN PYRAMID

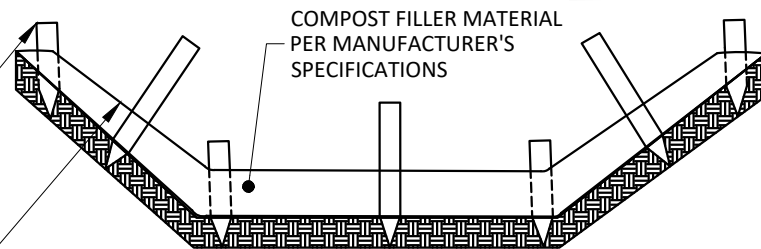
DOWNSTREAM  
SIDE



**OPTIONAL FILTER SOCK  
PYRAMID ELEVATION**

WOODEN STAKE (50mm X  
50mmx1000mm) INSTALLED  
ON DOWNSTREAM SIDE OR  
ON BOTH SIDES OF FILTER  
SOCK AT 1 METRE SPACING

SINGLE ROW OF  
450mm FILTER SOCK  
OR 3-300mm FILTER  
SOCKS IN PYRAMID



**CROSS SECTION**

**NOTES:**

1. ALL MATERIAL TO MEET FILTER SOCK MANUFACTURER'S SPECIFICATIONS.
2. SEDIMENT SHOULD BE REMOVED FROM BEHIND CHECKDAM ONCE THE ACCUMULATED HEIGHT HAS REACHED HALF THE TOTAL HEIGHT OF THE CHECK DAM.
3. FOR SLOPES >2% - STAKES INSTALLED ON BOTH SIDES OF FILTER SOCK AT 1 METRE INTERVALS WITH TWINE WRAPPED AROUND THE STAKES AND CROSSING OVER THE SOCK TO SECURE TO THE BASE OF SWALE. OTHERWISE, STAKES INSTALLED ON DOWNSTREAM SIDE OF FILTER SOCK AT 1 METRE SPACING.

ALL DIMENSIONS ARE SHOWN IN MILLIMETRES UNLESS OTHERWISE SHOWN