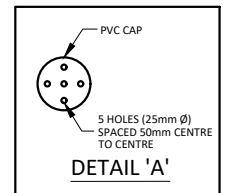
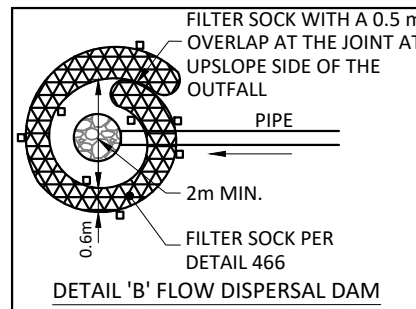


NOTES:

1. POND SIDE SLOPES TO BE STABILIZED IMMEDIATELY;
2. MINIMUM 48 HOUR DRAWDOWN TIME WITH MINIMUM 75MM DIAMETER ORIFICE;
3. ACTIVE STORAGE VOLUME: SHOULD BE DESIGNED WITH A MINIMUM OF 125m³/HECTARE CONTRIBUTING DRAINAGE AREA WITH A MINIMUM 48 HOUR DRAWDOWN TIME (MINIMUM 75mm DIAMETER ORIFICE) AND MINIMUM 4:1 L:W POND RATIO; AND,
4. PERMANENT POOL VOLUME:
 - 4.a. MINIMUM 125m³/HECTARE DRAINAGE AREA; OR
 - 4.b. MINIMUM 185m³/HECTARE DRAINAGE AREA IF L:W RATIO IS LESS THAN 4:1 OR THE DRAWDOWN TIME FOR THE ACTIVE STORAGE IS LESS THAN 48 HOURS.

ALL DIMENSIONS ARE SHOWN IN MILLIMETERS UNLESS OTHERWISE SHOWN



**TEMPORARY
SEDIMENT CONTROL
POND**

APPROVED:
APRIL 2023

ORIGINAL:
APR 2023

REV. 1

477

N.T.S