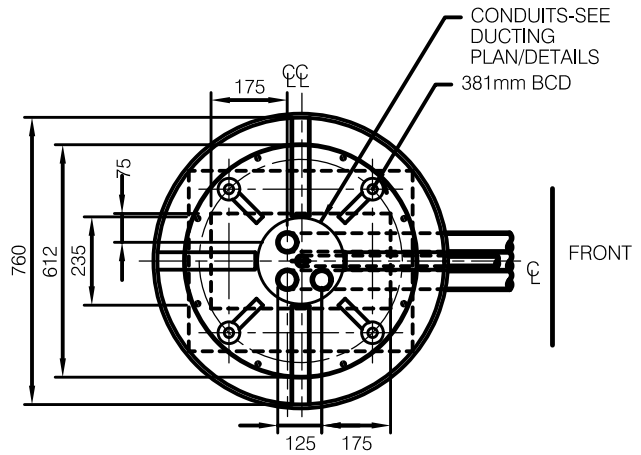
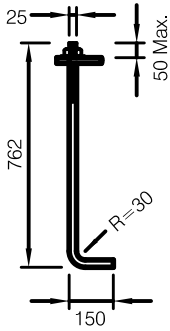
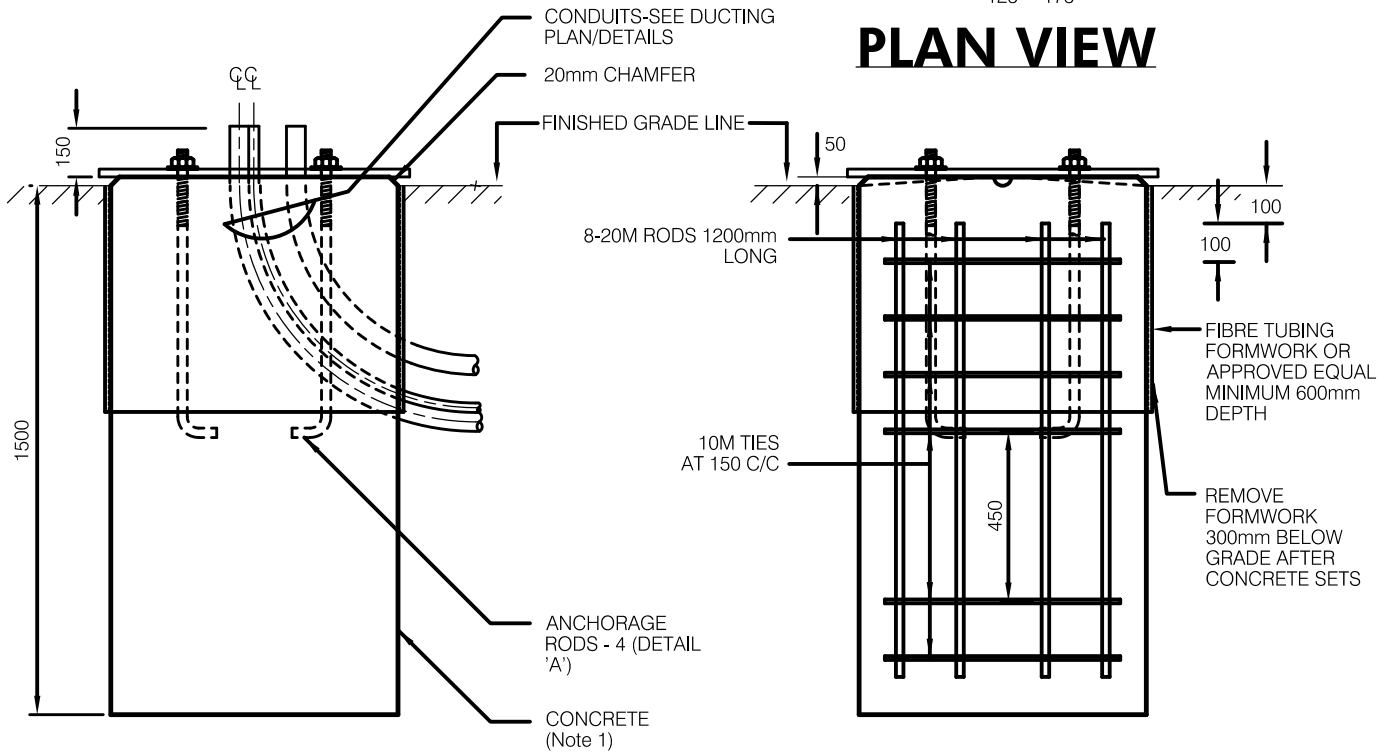


DETAIL 'A'
ANCHOR BOLT



PLAN VIEW



ELEVATION REINFORCEMENT

ELEVATION DIMENSIONS

ALL DIMENSIONS ARE IN MILLIMETERS UNLESS OTHERWISE NOTED.

REINFORCEMENTS ARE SHOWN IN SOLID LINES FOR CLARITY

TYPE (SENTINEL POLE & EQUIPMENT)	PEDESTAL HEIGHT	FOUNDATION		CAGE					ANCHOR RODS BCD	
		DIA. 'A'	DEPTH 'B'	ROD LENGTH	NO. OF TIES			ID DIA. 'C'		LAP 'D'
	mm	mm	mm	mm	AT 100 c/c	AT 150 c/c	AT 450 c/c	mm	mm	
ZUM POWER SUPPLY PEDESTAL	1780	760	1500	1200	1	4	1	612	235	381

NOTES:

1. CONCRETE SHALL BE ACCORDING TO OPSS MUNI 1350 WITH PERFORMANCE REQUIREMENTS IN CONFORMANCE WITH CSA A23.1 OF EXPOSURE CLASS C-1 AND A NOMINAL MINIMUM 28 DAY COMPRESSIVE STRENGTH OF 35 Mpa. THE CONCRETE SHALL BE POURED AS ONE MONOLITHIC SLAB AND FORMED, PLACED, VIBRATED, FINISHED, CURED AND PROTECTED IN ACCORDANCE WITH OPSS MUNI 904.
2. DIRECTION OF CONDUIT SLEEVE ENTRY TO BE MARKED WITH INDENTATION ON TOP OF FOOTING.
3. ANCHOR BOLTS ARE TO BE INSTALLED IN CONFORMANCE WITH CITY STANDARD DRAWING NUMBER 433.
4. EXCAVATION SHALL BE BY AUGER OR A NON-DESTRUCTIVE METHOD.
5. THE DIRECTION OF EACH CONDUIT SHALL BE IDENTIFIED ON THE POWER PEDESTAL BASE WITH AN "X".
6. CONCRETE SHALL BE VIBRATED TO ELIMINATE HONEYCOMBING AND ATTAIN 28 DAYS STRENGTH OF 35 MPa.
7. SEE DUCT ARRANGEMENTS FOR ZUM/POWER PEDESTAL FOR CONDUIT PLACEMENT INFORMATION (STD. DWG # 493).



APPROVED:
DEC 2015
**REINFORCING & ANCHOR
ARRANGEMENT FOR ZUM
POWER PEDESTAL**

GENERAL - SERIES 400

ORIGINAL:
AUG 2015

REV. 1

490

N.T.S