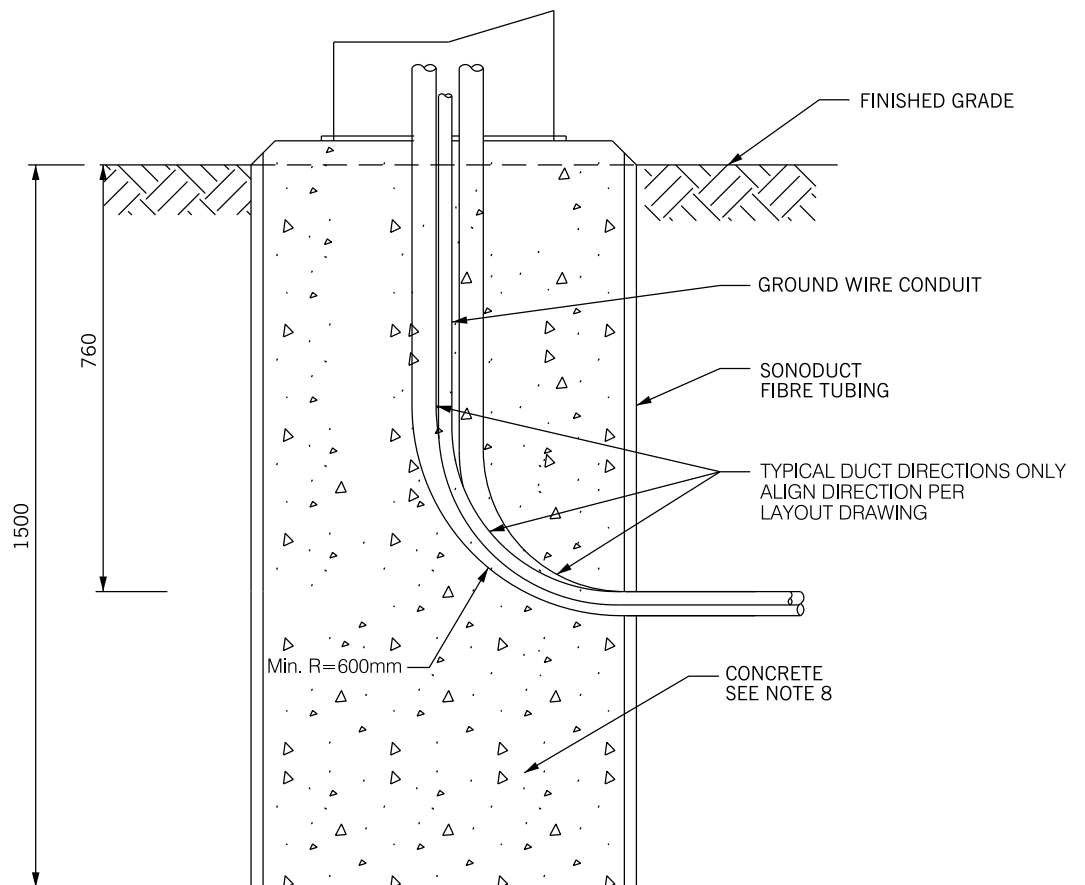


PLAN VIEW



SECTION 'A' - 'A'

ALL DIMENSIONS ARE IN MILLIMETERS
UNLESS OTHERWISE NOTED.

NOTES:

1. 50 mm DIA RIGID PVC CONDUIT, C.S.A. C22.2 NO 211.2 FOR INCOMING SERVICE DUCT, TO BE RUN (DIRECT BURIED) TO THE UNDERGROUND HYDRO ONE BRAMPTON "POINT OF TIE ON" AS SHOWN ON THE LAYOUT DRAWINGS.
2. 50 mm DIA RIGID PVC CONDUITS, C.S.A. C22.2 NO 211.2 FOR OUTGOING LOAD DUCTS, TO BE RUN (DIRECT BURIED) TO THE NEAREST HANDWELL OR ELECTRICAL MANHOLE SHOWN ON THE LAYOUT DRAWINGS.
3. ALL CONDUIT ENTERING POWER PEDESTAL SHALL BE SEALED WITH DUCT SEAL.
4. FOR DETAILS REGARDING CONCRETE, REINFORCEMENT & ANCHOR ARRANGEMENTS, REFER TO STD. DWG # 490.



BRAMPTON
Flower City

APPROVED:
DEC 2015

DUCT ARRANGEMENT
FOR ZUM/POWER PEDESTAL

GENERAL - SERIES 400

ORIGINAL:
AUG 2015

REV. 1

493

N.T.S