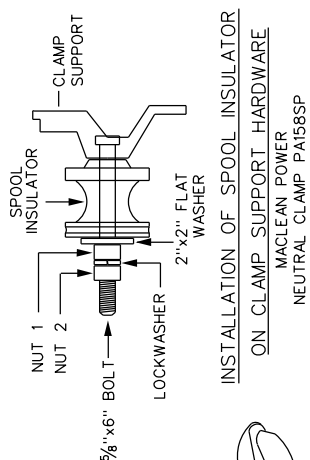
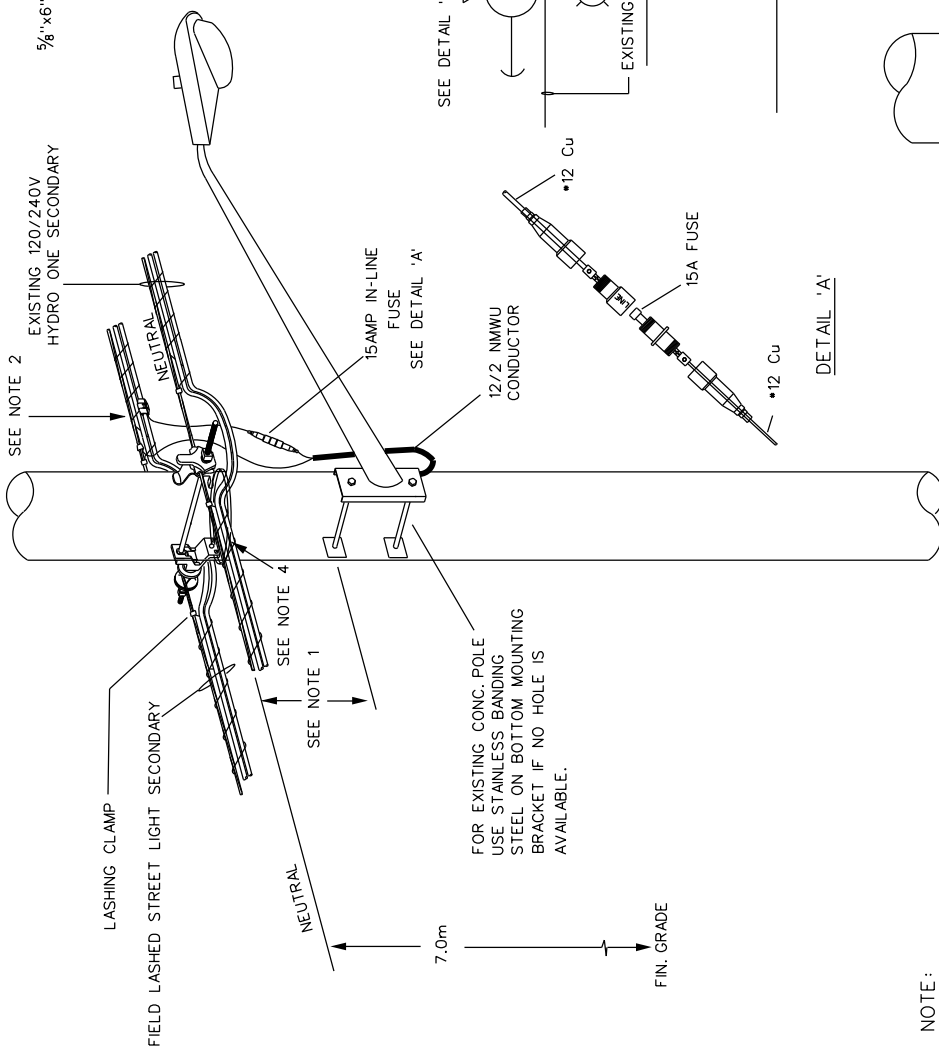


DETAIL 'B'



INSTALLATION OF SPOOL INSULATOR ON CLAMP SUPPORT HARDWARE  
MACLEAN POWER  
NEUTRAL CLAMP PAT58SP



SEE DETAIL 'B'

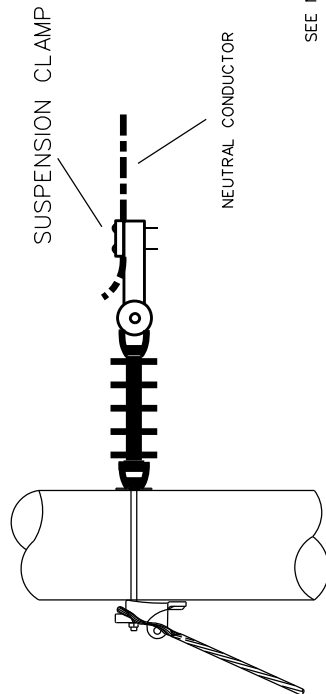
SEE DETAIL 'C'

EXISTING 120/240V FIELD LASHED SECONDARY

REFER TO STD. 501, DETAIL 'A' FOR INSTALLATION OF THE FIELD LASHED STREET LIGHT SUPPLY

R O A D W A Y

DETAIL 'A'



DETAIL 'C'

ALTERNATIVE STREET LIGHT NEUTRAL ASSEMBLY

SEE NOTE 5

**NOTE:**

1. TYPICAL DISTANCE OF BRACKET FROM NEUTRAL IS 150MM ON WOOD POLE, 250MM ON CONCRETE POLE
2. STREET LIGHT CONNECTION TO ALTERNATE CONDUCTOR AT EACH POLE TO BALANCE LOAD
3. S/L NEUTRAL TO BE GROUNDED AT DEADENDS, POINTS OF SUPPLY, AND EVERY 6 SPANS  
-S/L CONTRACTOR TO SUPPLY AND INSTALL GROUND WIRE TO S/L NEUTRAL ONLY  
-ONLY WEDGE/AMP STYLE CONNECTOR TO BE USED  
-REFER TO CITY STANDARD 504 FOR GROUND PLATE INSTALLATION
4. CITY (CONTRACTOR) TO INSTALL STEEL BAND AT BOTTOM LEG OF BRACKET SURING STREET LIGHTING INSTALLATION ON CONCRETE POLES AND LAG SCREW ON WOOD POLES.
5. ALTERNATIVE NEUTRAL MOUNTING OPTIONS WHEN NECESSARY
6. COPPER CONDUCTOR POSITIONED BELOW OR UNDERNEATH ALUMINUM CONDUCTOR
7. APPLICATION OF SIDE MOUNT STREET LIGHT BRACKET IS REQUIRED WHEN THERE IS A CONFLICT WITH PRIMARY DIP, SECONDARY, SPAN GUY OR SERVICE WIRES

ALL DIMENSIONS IN mm UNLESS OTHERWISE NOTED