

SEE NOTE 1

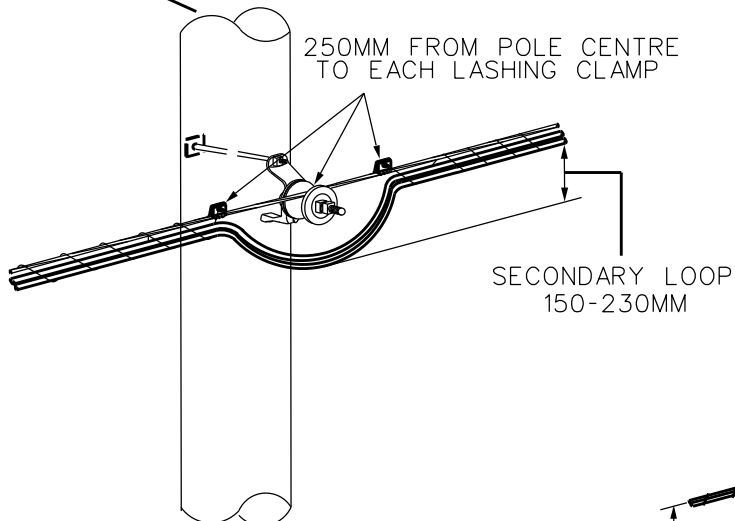


FIG. 1

SEE NOTE 1

SECONDARY LOOP 150-230MM

150-230MM DIAMETER

50-75MM FROM CLAMP

#6Cu

DOWN GUY

FIG. 2

SEE NOTE 1

50-75MM FROM CLAMP

#6Cu

150-230MM DIAMETER

FIG. 3

50-75MM FROM CLAMP

#6Cu

150-230MM DIAMETER

SEE NOTE 3

FIG. 4

NOTE :

1. ON 20M POLE OR SHORTER STREETLIGHT BRACKET OR DEADEND WILL BE LEVEL WITH HOB NEUTRAL
ON 21M POLE OR GREATER STREETLIGHT BRACKET OR DEADEND WILL BE POSITIONED
150MM ON WOOD OR 250MM ON CONCRETE BELOW HOB NEUTRAL
2. CONNECTIONS ARE TO ALTERNATE BETWEEN HOTLEGS AT EACH POLE BALANCING CIRCUIT LOAD
3. ALL SECONDARY DEADENDS REQUIRE A BACK GUY

ALL DIMENSIONS IN mm UNLESS OTHERWISE NOTED



BRAMPTON
Flower City

LASHED STREET
LIGHT SECONDARY
AND NEUTRAL DEADEND
ASSEMBLY

STREET LIGHT DETAILS - 500

APPROVED:
MARCH
2017

ORIGINAL:
JUNE 2010

REV. 1

509

N.T.S