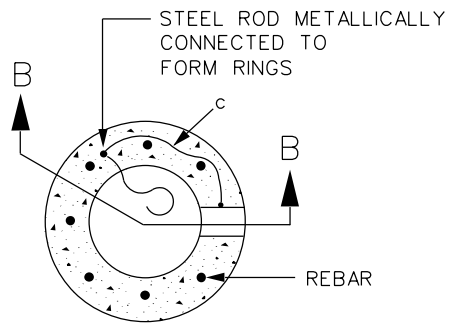
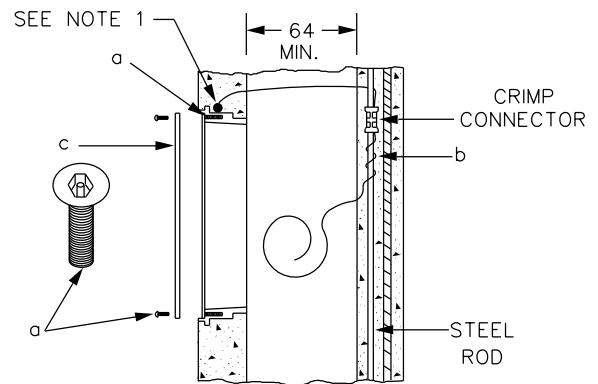


SECTION A-A



SECTION B-B



MATERIAL

- a. TAMPER PROOF 1/4"-20x3/4" ALLEN KEY BUTTON PAN HEAD STAINLESS STEEL BOLT.
- b. GROUNDING LEAD - USE NO. 6 AWG MIN. STRANDED CU. WIRE, THREE TURNS, CRIMPED TO STEEL ROD. LEAD TO EXTEND 305mm OUTSIDE THE HANDHOLE.
- c. CAST METALLIC HANDHOLE FRAME AND COVER.

NOTE:

1. METALLIC HANDHOLE FRAME MUST BE ELECTRICALLY BONDED TO THE NO. 6 GROUND WIRE.
 2. SEE STD 510 FOR POSITION OF POLE ID PLATE
 3. CONTRACT TO APPLY ANTI-SEIZE TO HANDHOLE COVER BOLT
- ALL DIMENSIONS IN mm UNLESS OTHERWISE NOTED



BRAMPTON
Flower City

STREET LIGHT POLE

C.S.A. CLASS 'B' 7.6m (25FT) AND
C.S.A. CLASS 'B' 9.0m (32.5FT)
ROUND PRE-STRESS CONCRETE

STREET LIGHT DETAILS - 500

APPROVED:
MARCH
2017

ORIGINAL:
JUNE 2006

REV. 3

511

N.T.S