



**BRAMPTON**  
Flower City

**DECORATIVE STREET LIGHT BRACKET**

(EXTRUDED BASE)

STREET LIGHT DETAILS - 500

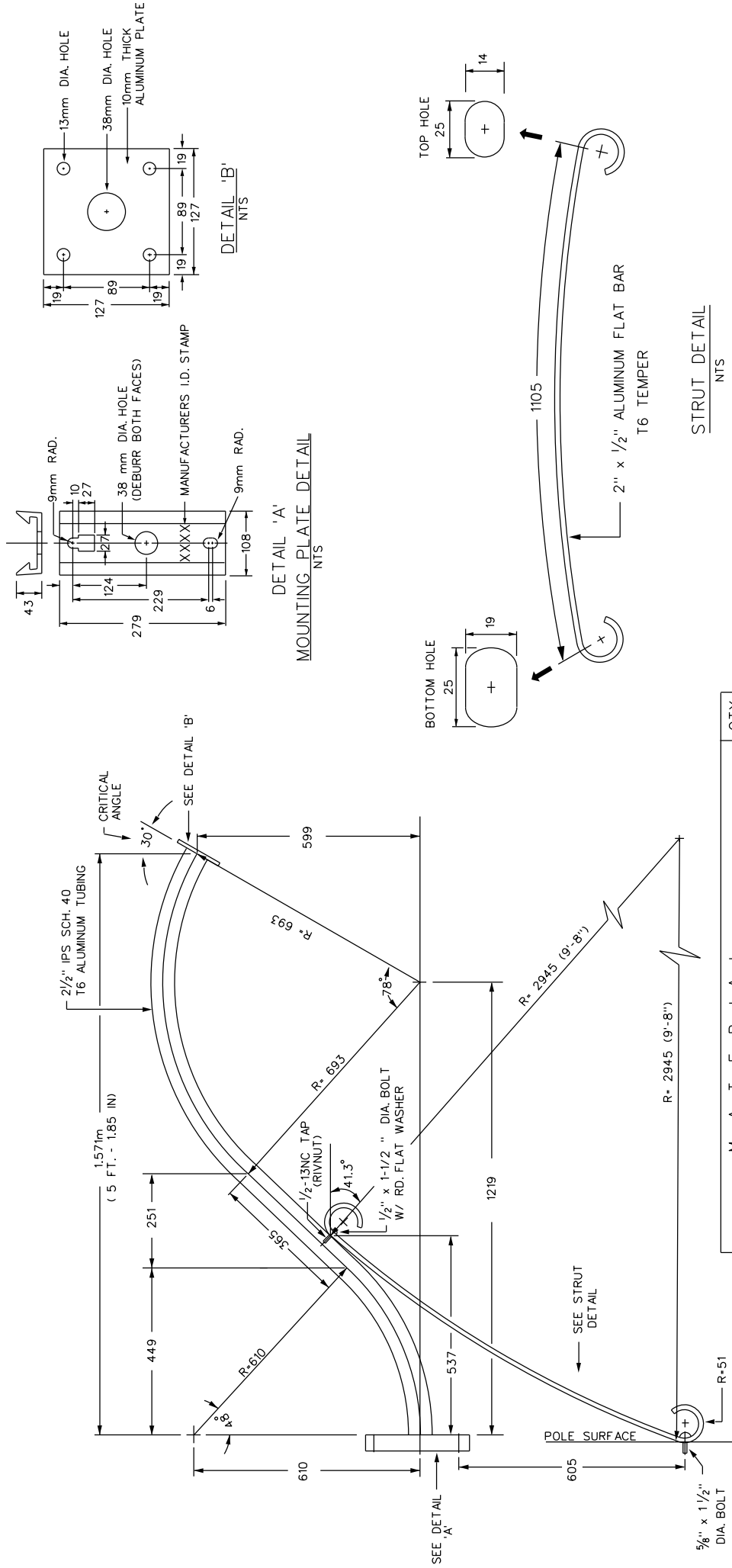
APPROVED:  
APRIL 2014

ORIGINAL:  
JUNE 2006

REV. 0

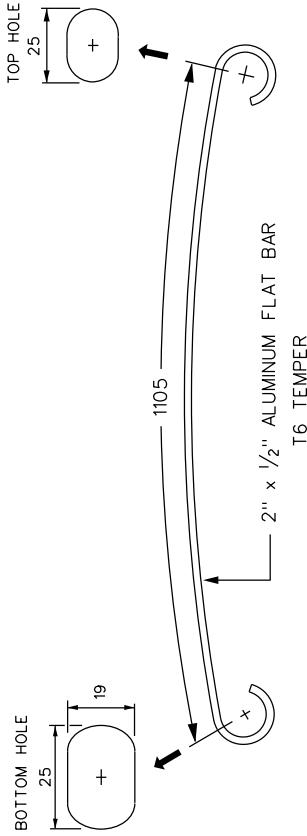
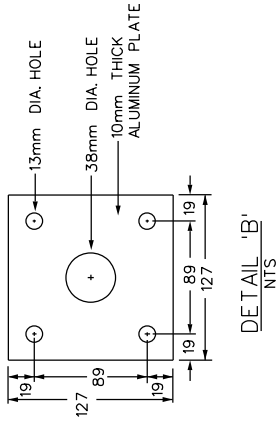
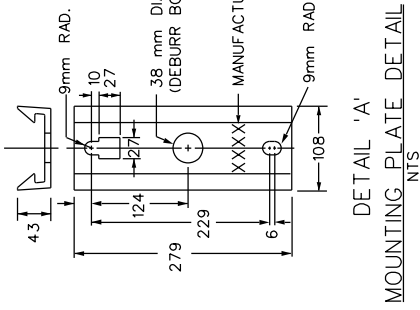
**517**

N.T.S



M	A	T	E	R	I	A	L	QTY							
5/8"	x	9"	GALVANIZED	MACHINE	BOLT	AND	NUT	WITH	ONLY	THE	BOLT	HEAD	FACTORY	PAINTED.	2
2"	x	2"	5/8"	GALV.	SQ.	FLAT	WASHER	1/8"	HOLE	AND	FACTORY	PAINTED	3		
5/8"	LOCK	WASHER	STAINLESS	STEEL	AND	FACTORY	PAINTED	2							
5/8"	x	1 1/2"	STAINLESS	STEEL	BOLT	AND	FACTORY	PAINTED	1						
1/2"	x	1-1/2"	STAINLESS	STEEL	BOLT	AND	FACTORY	PAINTED	1						
1/2"	ROUND	FLAT	WASHER,	STAINLESS	STEEL	AND	FACTORY	PAINTED	1						

NOTE: ALL ASSOCIATED HARDWARE SHOULD BE PLACED IN A BAG AND TIED TO THE BASE OF EACH INDIVIDUAL BRACKET.



**NOTE:**

1. ALL DIMENSIONS ARE IN MILLIMETRES UNLESS OTHERWISE SPECIFIED.
2. STREET LIGHT BRACKET TO BE MADE OF ALUMINUM.
3. ALL ASSOCIATED BRACKET HARDWARE MUST BE FACTORY PAINTED TO MATCH BRACKET COLOUR.
4. BRACKET COLOUR TO BE SEMI-GLOSS SHIBUI BROWN NO. DCL 49-31 FROM DURACOAT POWDER MANUFACTURING INC. (15 IROQUIS TRAIL GRIMSBY, ONT. L3M 5E6 TEL. 905-945-0073).