

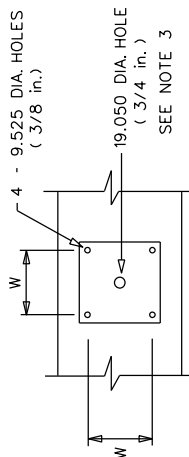
3 - 1/4 " x 3/4 " STAINLESS STEEL BOLT EVENLY SPACE SUITABLE FOR #2 ROBERTSON SCREW DRIVER

PHOTOCELL CAP DETAIL

A	500	F	15	L	375	S	25.40
B	450	G	5	M	140	T	29.50
C	250	H	75	N	104	U	10
D	25	J	180	P	102	W	88.90
E	10	K	10	Q	105	X	6
						Z	3.6

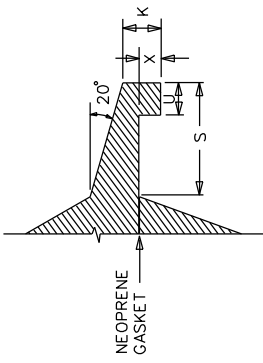
NOTES:

1. DIMENSIONS IN MILLIMETRES UNLESS OTHERWISE SPECIFIED.
2. COLOUR OF FIXTURE TO BE SEMI-GLOSS SHIBUI BROWN NO. DCL 49-31 FROM DURACOAT POWDER MANUFACTURING INC. (185 SOUTH SERVICE RD. WEST, GRIMSBY, ONT. L3M 4H6 TEL. 905-945-0073).
3. HOLES TO BE CENTERED IN THE REAR FACE OF THE UPPER HOUSING.
4. ONE PIECE WEATHER RESISTANT GASKET, 3mm THICKNESS.
5. HINGES TO BE MOUNTED SO THAT THE LOWER HOUSING OPENS TOWARD THE MOUNTING BRACKET.
6. LOCKING FEATURE TO BE 1/4 TURN.
7. PHOTOCELL PEDESTAL INTERFACE WITH THE TOP COVER MUST BE WATERTIGHT.
8. LUMINAIRE SHOULD BE PRE-WIRED WITH 11.0m (36 FT.) OF 3 - #12 AWG CU STRANDED RW90 600V (BWG) WIRE.
9. WEIGHT OF LUMINAIRE APPROXIMATELY 40 LBS.

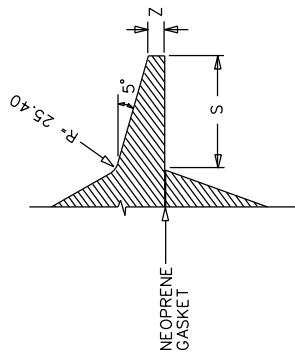


DETAIL 'A'

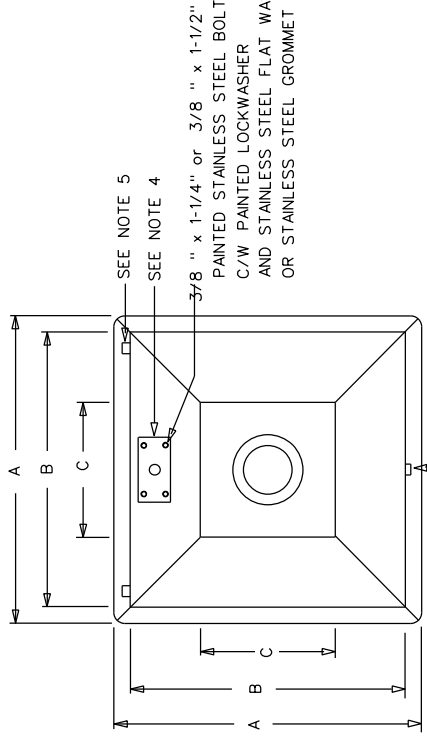
3/8 " x 1-1/4" or 3/8 " x 1-1/2" PAINTED STAINLESS STEEL BOLT C/W PAINTED LOCKWASHER AND STAINLESS STEEL FLAT WASHER OR STAINLESS STEEL GROMMET WASHER



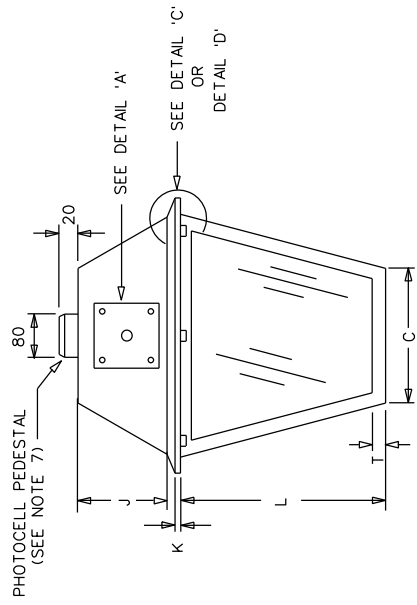
DETAIL 'C'



DETAIL 'D'



TOP VIEW



FRONT VIEW



BRAMPTON
Flower City

H.P.S.
DECORATIVE STREET
LIGHT LUMINAIRE

STREET LIGHT DETAILS - 500

APPROVED:
APRIL 2014

ORIGINAL:
JUNE 2006

REV. 0

519

N.T.S