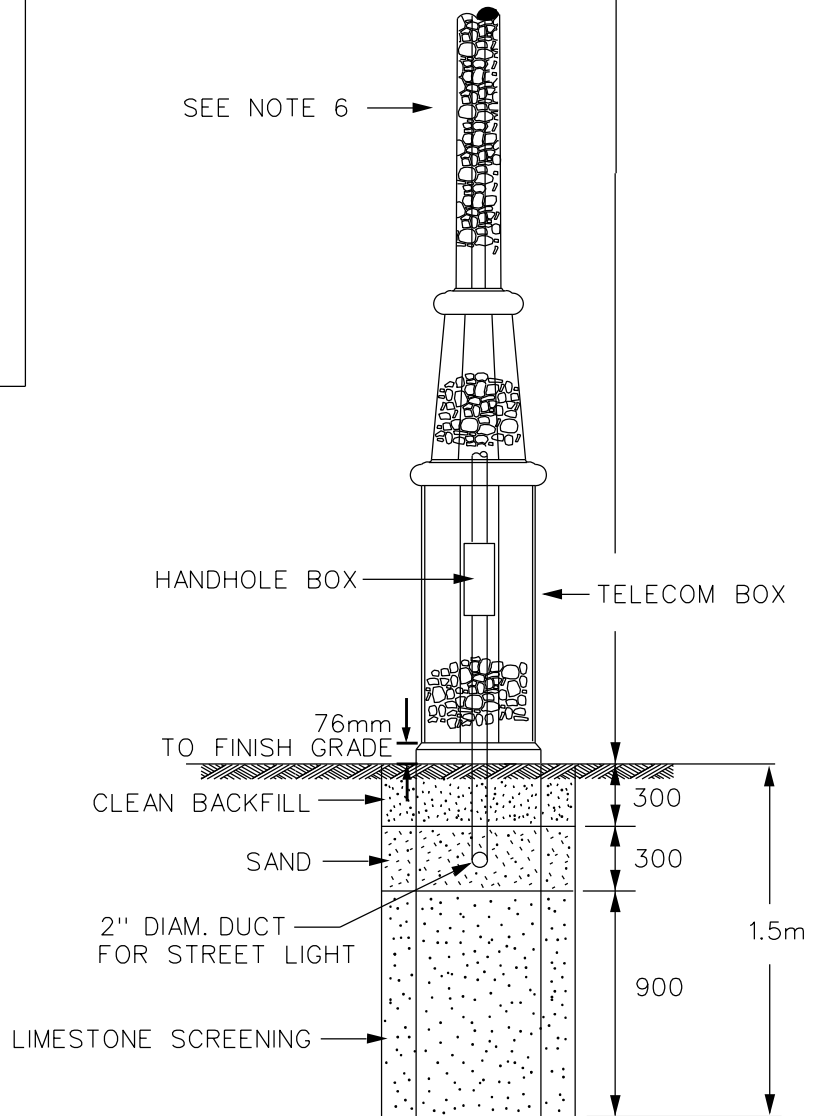


SEE NOTE 6

ROADWAY



NOTE:

1. FOR HANDHOLE CONNECTIONS SEE CITY STANDARD 506
 2. TELECOM BOX SHOULD BE FACING THE PROPERTY.
 3. REFER TO CITY STANDARD 518 FOR POLE CAP
 4. FINISH - E90 (ETCHED SALUKI BROWN), STRESSCRETE
- CBE (CARPATHIAN BRONZE, ETCHED), SKYCAST
 5. REFER TO CITY STANDARD 519 FOR LUMINAIRE
 6. POLE NUMBER ID PLATE TO BE INSTALLED 3000mm FROM GRADE FACING ROADWAY
- ALL DIMENSIONS IN mm UNLESS OTHERWISE NOTED



BRAMPTON
Flower City

COMMUNICATION
STREET LIGHT POLE

INSTALLATION
STREET LIGHT DETAILS - 500

APPROVED:
APRIL 2014

ORIGINAL:
JUNE 2006

REV. 1

521

N.T.S