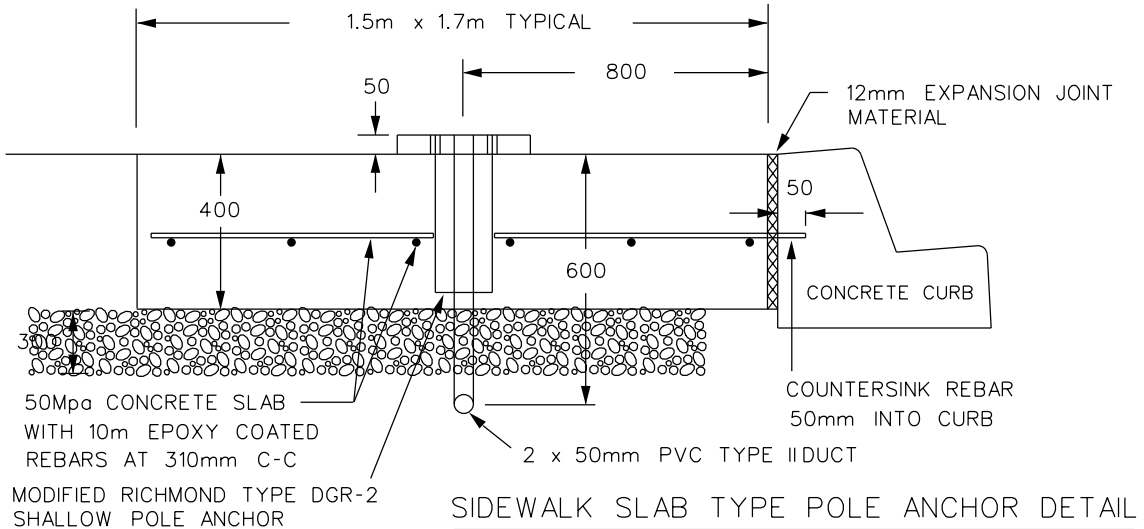
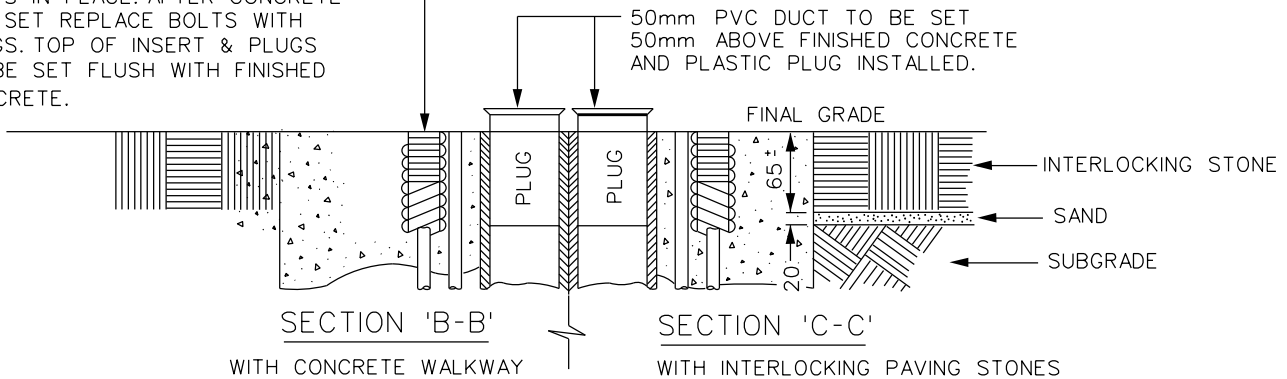


SECTION 'A-A'

INSTALL POLE BASE INSERT WITH BOLTS IN PLACE. AFTER CONCRETE HAS SET REPLACE BOLTS WITH PLUGS. TOP OF INSERT & PLUGS TO BE SET FLUSH WITH FINISHED CONCRETE.



NOTE:

1. FORM BASE WITH SONO TUBE FLUSH WITH GRADE. SEE SECTIONS B-B AND C-C FOR SPECIFIC FINAL GRADE.
2. SONO TUBE TO BE PEELED OFF 150mm FROM TOP AFTER CONCRETE HARDENS.
3. TOP OF FOUNDATION TO BE LEVEL AND SMOOTH.
4. REFER TO STANDARD 524 AND STANDARD 523 FOR POLE INSTALLATION.