

FIG. 1 - CONNECTION FOR SINGLE LUMINAIRE

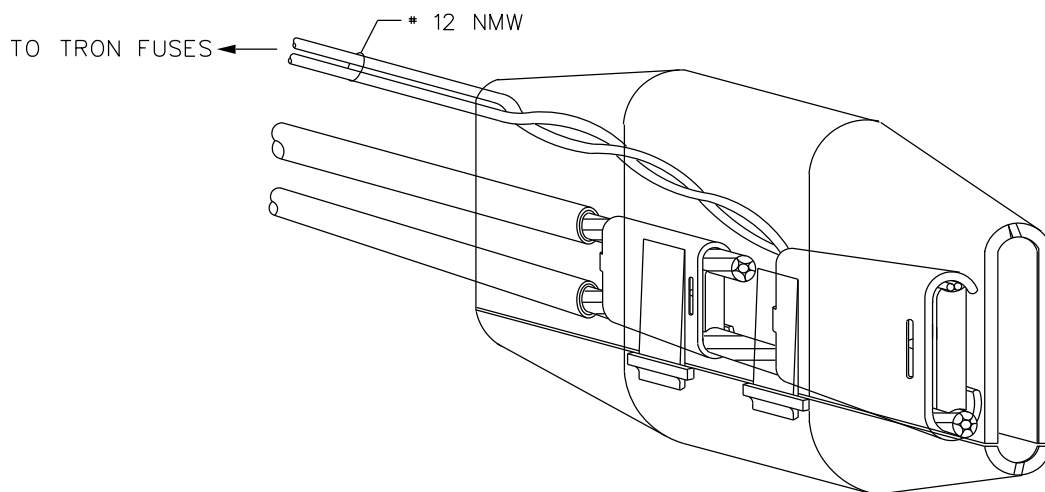
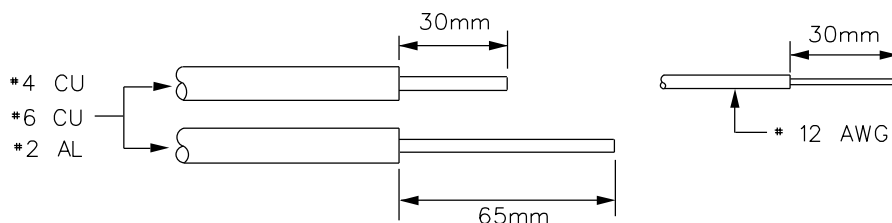


FIG. 2 - CONNECTION FOR DOUBLE LUMINAIRE



CABLE STRIPPING LENGTHS

NOTE:

1. BEND SLIGHTLY TO PREVENT CONDUCTOR FROM SLIDING OUT.
2. # 12 NMW WIRE STRIP LENGTH TO SUIT MINI-WEDGE CONNECTOR.
3. APPLY SILICON GREASE TO THE INSIDE WALL OF THE RUBBER BOOT FOR EASE OF INSTALLATION.
4. RUBBER BOOT MUST BE INSTALLED IN THE VERTICAL POSITION INSIDE THE HANDHOLE.

FOR MAINTENANCE ONLY



BRAMPTON
Flower City

C-LOK CONNECTOR
INSTALLATION

STREET LIGHT DETAILS - 500

APPROVED:
APRIL 2014

ORIGINAL:
JUNE 2006

REV. 1

541

N.T.S