

Fig. 1

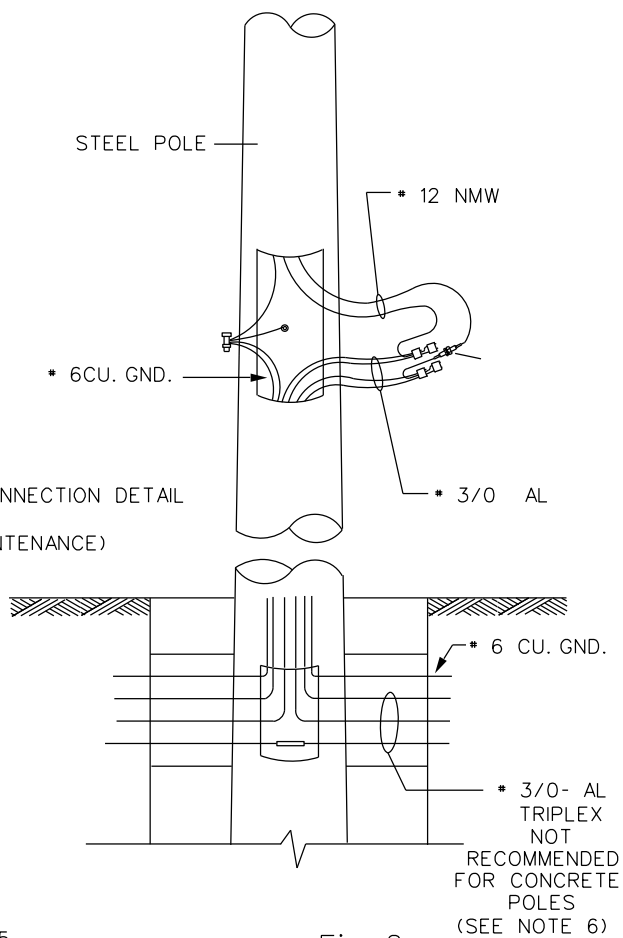
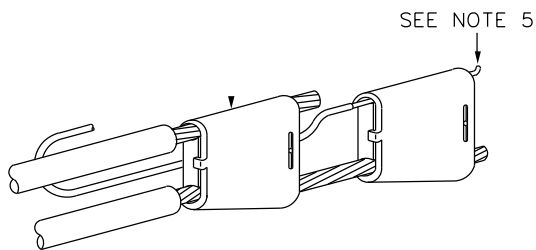


Fig. 2



DETAIL OF C-LOK CONNECTION

NOTE:

1. CONNECT BLACK CONDUCTORS TOGETHER AND CONNECT WHITE CONDUCTORS TOGETHER.
2. SMALL GROVE IN C-LOK CONNECTOR IS FOR *12 CONDUCTOR.
3. CONNECT GROUND WIRES TO STUD PROVIDED IN HANDHOLE USING SPLIT BOLT CONNECTOR.
4. SEE DETAIL INSTALLATION OF C-LOK CONNECTORS. STD. 542
5. FOR ORNAMENTAL LUMINAIRES, ENSURE *12 STRANDED WIRE IS TWISTED BEFORE APPLYING C-LOK CONNECTORS.
6. FIG. 2, 3/0 TRIPLEX OPTION, IS AVAILABLE WHERE VOLTAGE DROP IS A CONCERN.

FOR MAINTENANCE ONLY



BRAMPTON
Flower City

C-LOK HANDHOLE CONNECTIONS

FOR STREET LIGHT POLES
STREET LIGHT DETAILS - 500

APPROVED:
APRIL 2014

ORIGINAL:
JUNE 2006

REV. 1

542

N.T.S